


44420046	<b>DATA SHEET</b>	
Valid from: 28.07.2021	<b>EPIC<sup>®</sup> SIGNAL M23 G5</b>	

## Description

- Circular connectors for servo cables and encoders
- Fast and easy assembly
- Only one M25 bore hole necessary



## General characteristics

Series	SIGNAL M23
Version	panel-mount box, front wall mounting
Protection rating	IP 68 (10 h / 1 m)
Temperature range	-25 °C to +125 °C

## Product variations

Article number	Coding	Fastening type	PU
44420046	black (N)	M25x1,5 (with nut)	5
44420045	black (N)	M25x1,5 (with nut)	20
44420048	red (+20°)	M25x1,5 (with nut)	5
44420047	red (+20°)	M25x1,5 (with nut)	20
44420044	blue (-20°)	M25x1,5 (with nut)	5
44420043	blue (-20°)	M25x1,5 (with nut)	20

## Materials and surfaces

Housing	Nickel plated zinc die-casting
Sealing	FPM

## Approvals

VDE-Approval, VDE-REG.-Nr.	C024
UL File Number	E249137

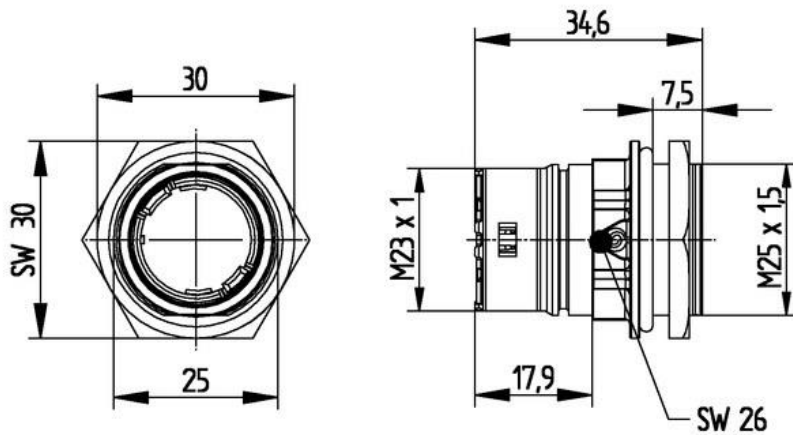
## Standard

Safety Standard	IEC 61984; UL2238; CSA 22.2 182.3
-----------------	-----------------------------------

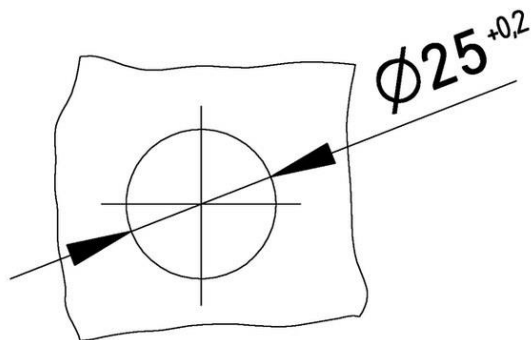
Creator: MANA2/PDP Released: IVSE1/PDP	Document: DB44420046EN Version: 03	Page 1 of 3
---	---------------------------------------	-------------

44420046	<b>DATA SHEET</b>	
Valid from: 28.07.2021	EPIC® SIGNAL M23 G5	

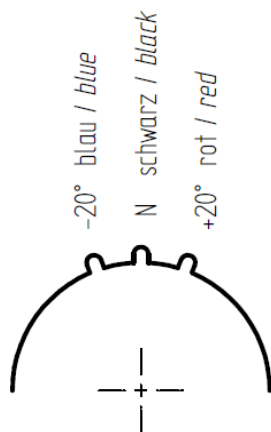
### Drawings



### Bore hole




### Coding



G5

Ansicht steckseitig  
View from mating side

Creator: MANA2/PDP Released: IVSE1/PDP	Document: DB44420046EN Version: 03	Page 2 of 3
---	---------------------------------------	-------------

44420046	<b>DATA SHEET</b>	
Valid from: 28.07.2021	<b>EPIC<sup>®</sup> SIGNAL M23 G5</b>	



Good chemical resistance



Industrial machinery and plant engineering



Robust



Wind energy

### Application range

Plant engineering  
 Servo drives and Servo assemblies  
 Measurement and control technology

### Remark

Photographs are not to scale and do not represent detailed images of the respective products.

Creator: MANA2/PDP Released: IVSE1/PDP	Document: DB44420046EN Version: 03	Page 3 of 3
---	---------------------------------------	-------------