


25009692	DATA SHEET	
Valid from: 18.09.2020	EPIC® POWER KIT LS1 A3 5+PE	

Description

- Circular connectors for servomotors and power supply
- High power at smallest installation space
- Optimal solution for electric motors
- EMC-optimised design
- Safety use in field environment by high protection class



General Characteristics

Series	POWER LS 1
Version	Angled, rotatable for male contacts
Pin configuration	5+PE
Rated voltage (V)	630 V
Rated impulse voltage	6 kV
Rated current (A)	25 A
Contact resistance	< 4 mOhm
Contacts included	Yes
Contacts	Gold plated brass
Number of contacts	5+PE
Termination methods	Crimp termination: 0.5 - 2.5 mm ²
Cable clamping range	Ø 2,7 mm (4x)
Protection	IP 65
Cycle of mechanical operation	500
Temperature range	-25°C to +125°C
Degree of soiling	3

Materials and Surfaces

Housing	Blue chromated (CrVI free), zinc die-casting
Insert	PA
Seal	FPM

Approvals


UL-File-Number	E249137
----------------	---------

Standard

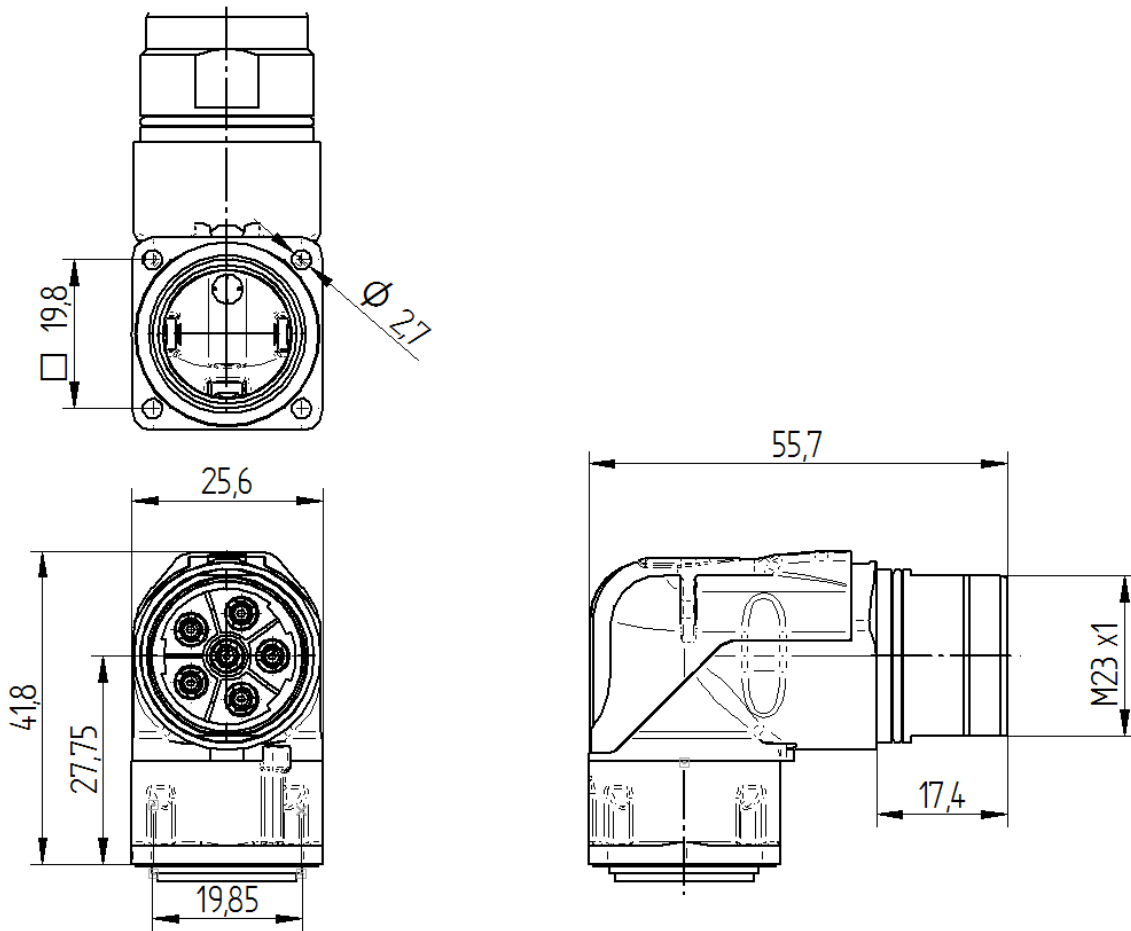
Safety Standard	IEC 61984; UL 2238; CSA 22.2 182.3
-----------------	------------------------------------



Creator: STKU3/PDP Released: IVSE1/PDP	Document: DB25009692EN Version: 02	Page 1 of 3
---	---------------------------------------	-------------

25009692	DATA SHEET	
Valid from: 18.09.2020	EPIC® POWER KIT LS1 A3 5+PE	

Technical Drawings



Good chemical resistance



Corrosion-resistant



Industrial machinery and plant engineering




Maximum vibration protection



Mechanical resistance

Creator: STKU3/PDP Released: IVSE1/PDP	Document: DB25009692EN Version: 02	Page 2 of 3
---	---------------------------------------	-------------

25009692	DATA SHEET	
Valid from: 18.09.2020	EPIC[®] POWER KIT LS1 A3 5+PE	



Assembly time



Space requirement



Robust



Waterproof



Wind Energy



Variety of approval certifications

Info

Rotateable with clearly defined adjustment positions

Application range

Plant engineering

Servo drives and servo assemblies

Remark

Photographs are not to scale and do not represent detailed images of the respective products.

Creator: STKU3/PDP Released: IVSE1/PDP	Document: DB25009692EN Version: 02	Page 3 of 3
---	---------------------------------------	-------------