


24441271	DATA SHEET	
Valid from: 18.09.2020	EPIC® POWER LS1 D6 3+PE+4 TWIST	

Description

- Circular connectors for servomotors and power supply
- High power at smallest installation space
- Optimal solution for electric motors
- EMC-optimised design
- Safety use in field environment by high protection class



General Characteristics


Series	POWER LS 1
Version	Cable connector for female contacts
Pin configuration	3+PE+4
Rated voltage (V)	630 V (2mm Contacts) 250 V (1mm Contacts)
Rated impulse voltage	6 kV (2mm Contacts) 4 kV (1mm Contacts)
Rated current (A)	25A (2mm Contacts) 7A (1mm Contacts)
Contact resistance	< 4 mOhm
Number of contacts	3+PE+4
Termination methods	Crimp termination: 0.5 – 2,5 mm ² (2 mm contacts) Crimp termination: 4.0 mm ² (2 mm contacts for 24441277) Crimp termination: 0.14 - 1.0 mm ² (1 mm contacts)
Protection	IP 67 (latched)
Cycle of mechanical operation	500
Temperature range	-25°C to +125°C
Degree of soiling	3

Product Variations

Package unit = 20 pieces: The contacts must be ordered separately

Article- Number	Article	Contacts included	Cable clamping range mm	Pin configuration
Type LS1 D6, Cable connector, 8-pin for female contacts				
24441271	LS1 D6	8	8,5 - 11	3+PE+4
24441272	LS1 D6		8,5 - 11	3+PE+4
24441273	LS1 D6	8	10,5 - 15,5	3+PE+4
24441274	LS1 D6		10,5 - 15,5	3+PE+4
24441275	LS1 D6	8	7,5 - 15,5	3+PE+4
24441276	LS1 D6		7,5 - 15,5	3+PE+4
24441277	LS1 D6 mit 2mm contact for 4mm ² termination	8	14 - 17	3+PE+4
24441278	LS1 D6		14 - 17	3+PE+4

Creator: STKU3/PDP Released: IVSE1/PDP	Document: DB24441271EN Version: 02	Page 1 of 3
---	---------------------------------------	-------------

24441271	DATA SHEET	
Valid from: 18.09.2020	EPIC® POWER LS1 D6 3+PE+4 TWIST	

Materials and Surfaces

Housing	Nickel-plated zinc die-casting, nickel-plated brass
Insert	PA
Seal	FPM
Contact	Brass
Contact surface	AU

Approvals

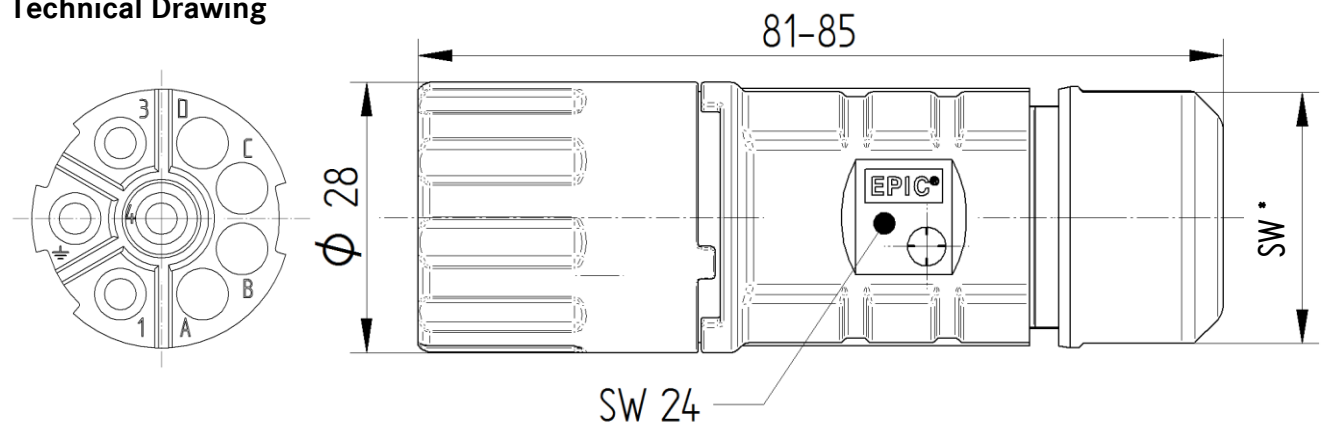
UL E-File Number E249137

Standard

Safety Standard IEC 61984, UL 2238, CSA 22.2 182.3



Technical Drawing



Article number	* wrench size
24441271	26
24441272	26
24441273	26
24441274	26
24441275	27
24441276	27
24441277	27
24441278	27



Good chemical resistance




Corrosion-resistant



Industrial machinery and plant engineering

Creator: STKU3/PDP Released: IVSE1/PDP	Document: DB24441271EN Version: 02	Page 2 of 3
---	---------------------------------------	-------------

24441271	DATA SHEET	
Valid from: 18.09.2020	EPIC® POWER LS1 D6 3+PE+4 TWIST	



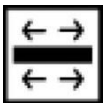
Maximum vibration protection



Mechanical resistance



Assembly time



Optimum strain relief



Space requirement



Robust



Waterproof



Wind Energy

Application range

Plant engineering
Servo drives and servo assemblies

Remark

Photographs are not to scale and do not represent detailed images of the respective products.

Creator: STKU3/PDP Released: IVSE1/PDP	Document: DB24441271EN Version: 02	Page 3 of 3
---	---------------------------------------	-------------