


24420055	<b>DATA SHEET</b>	
Valid from: 28.07.2021	<b>EPIC<sup>®</sup> SIGNAL M23 A3 N</b>	

## Description

- Circular connectors for servo cables and encoders
- Housings are very flexible - cable connectors with wide clamping range, receptacle housings for assembling the inserts from the front and rear
- Permanent vibration protection



## General characteristics

Series	SIGNAL M23
Version	panel-mount connector, angled, rotatable, front wall mounting
Protection rating	IP 65
Temperature range	-25°C to +125°C

## Product variations

Article number	Coding	Fastening type	PU
24420055	black (N)	Ø2,7mm (4x)	5
24420054	black (N)	Ø2,7mm (4x)	20

## Materials and surfaces

Housing	Blue chromated (CrVI free), zinc die-casting
Sealing	FPM/FKM

## Approvals


UL File Number	E249137
----------------	---------



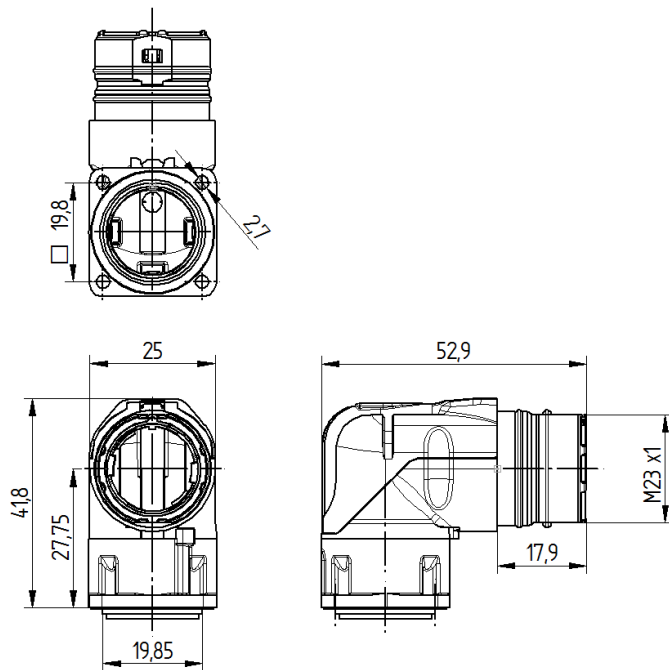
## Standard

Safety Standard	IEC 61984; UL 2238; CSA 22.2 182.3
-----------------	------------------------------------

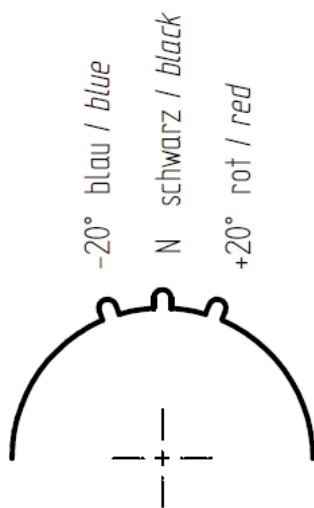
Creator: STKU3/PDP Released: IVSE1/PDP	Document: DB24420055EN Version: 05	Page 1 of 3
---	---------------------------------------	-------------

24420055	<b>DATA SHEET</b>	
Valid from: 28.07.2021	EPIC <sup>®</sup> SIGNAL M23 A3 N	

### Drawings




### Codierung



**A3**

Ansicht steckseitig  
view from mating side

Creator: STKU3/PDP Released: IVSE1/PDP	Document: DB24420055EN Version: 05	Page 2 of 3
---	---------------------------------------	-------------

24420055	<b>DATA SHEET</b>	
Valid from: 28.07.2021	<b>EPIC<sup>®</sup> SIGNAL M23 A3 N</b>	



Good chemical resistance



Industrial machinery and plant engineering



Robust



Waterproof



Wind energy

### Info

Rotateable with clearly defined adjustment positions

### Application range

Plant engineering

Servo drives and Servo assemblies

Measurement and control technology

### Remark

Photographs are not to scale and do not represent detailed images of the respective products.

Creator: STKU3/PDP Released: IVSE1/PDP	Document: DB24420055EN Version: 05	Page 3 of 3
---	---------------------------------------	-------------