

11241100	DATA SHEET	
Valid from: 08.04.2021	EPIC® H-D 1.6 STAMPED CONTACTS	






Description

- For inserts and modules of the EPIC® rectangular connectors



Article-Number	Article	Version	Conductor cross-section (mm ²)	Surface	Stripping length (mm)	Base material
11241100	H-D 1.6 stamped	male	0,14 - 0,5	Ag	3,0 + 0,5	brass
11231100	H-D 1.6 stamped	female	0,14 - 0,5	Ag	3,0 + 0,5	brass
11221000	H-D 1.6 stamped	male	0,5 - 1,5	Ag	4,0 ± 0,5	brass
11236100	H-D 1.6 stamped	female	0,5 - 1,5	Ag	4,0 ± 0,5	brass
11223500	H-D 1.6 stamped	male	1,5 - 2,5	Ag	4,0 ± 0,5	brass
11228500	H-D 1.6 stamped	female	1,5 - 2,5	Ag	4,0 ± 0,5	brass
11243100	H-D 1.6 stamped	male	0,14 - 0,5	Au	3,0 ± 0,5	brass
11233100	H-D 1.6 stamped	female	0,14 - 0,5	Au	3,0 ± 0,5	brass
11221300	H-D 1.6 stamped	male	0,5 - 1,5	Au	4,0 ± 0,5	brass
11238100	H-D 1.6 stamped	female	0,5 - 1,5	Au	4,0 ± 0,5	brass

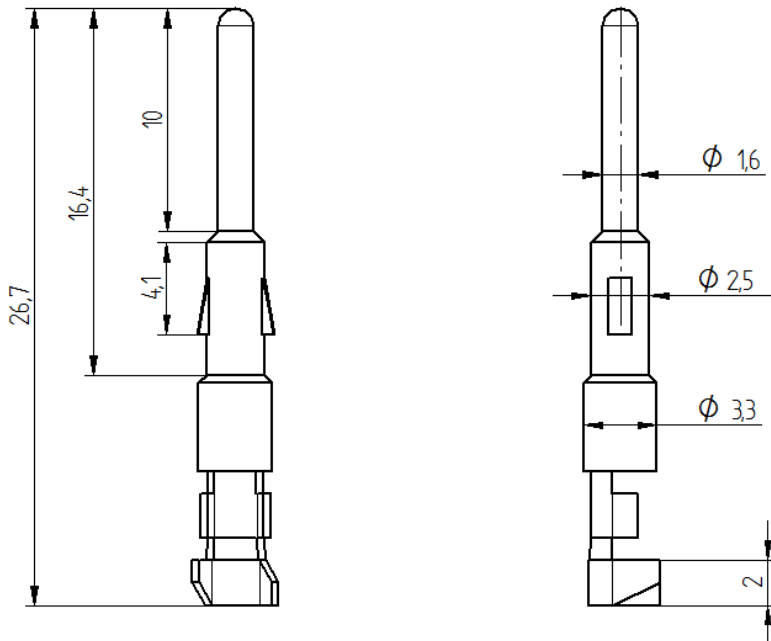
Matching crimping tools

Article Number	Article description	Version	Notes	Picture
11147000	Crimping tool	In tool case	Without crimping dies, without locator	
11147001	Crimping machine	Pneumatic, 5 - 10 bar	Without crimping dies, without locator	
11147170	Crimping dies	For 11147000 and 11147001	For contacts: H-D 1.6 stamped (0.5 - 1.5 mm ²)	
11147190	Crimping dies	For 11147000 and 11147001	For contacts: H-D 1.6 stamped (1.5 - 2.5 mm ²),	
11147300	Locator		Für H-D 1,6 Kontakte	
11161000	Removal tool		For contacts H-D 1,6 machined/stamped	

Creator: MANU2/PDP Released: IVSE1/PDP	Document: DB11241100EN Version: 01	Page 1 of 2
---	---------------------------------------	-------------

11241100	DATA SHEET	
Valid from: 08.04.2021	EPIC® H-D 1.6 STAMPED CONTACTS	

Drawing:



Remark

Photographs are not to scale and do not represent detailed images of the respective products.

Creator: MANU2/PDP Released: IVSE1/PDP	Document: DB11241100EN Version: 01	Page 2 of 2
---	---------------------------------------	-------------