


10491100	<b>DATA SHEET</b>	
Valid from: 21.09.2021	<b>EPIC® STA 14 SS / STA 14 FS</b>	

## Description

- The proven STA inserts for screw termination and solder termination.
- STA inserts - proven by the strong contact springs.



**Male**

## General Characteristics

Series	STA 14
Version	Male (Article 10491100)/Spring(Article 10493100)
Number of Contacts	14
Termination Methods	Screw termination: 0,5 to 1.5 mm <sup>2</sup>
Temperature Range	-40°C to +80°C

## Mechanical Characteristics

Cycle of mechanical operation	100
-------------------------------	-----

## Electrical Characteristics

Rated Voltage, IEC	24 V AC, 60 V DC
Rated Voltage, UL	48 V
Rated Current, IEC	7,5 A
Rated Current, UL	7,5 A
Contact Resistance	< 3 mOhm
Degree of Soiling	2

## Materials and Surfaces

Contacts	Copper alloy, tinned
Insulating Body	PC
Flammability Class according to UL 94	V0


## Approvals

UL-Approval, E-File-Number	E75770
----------------------------	--------

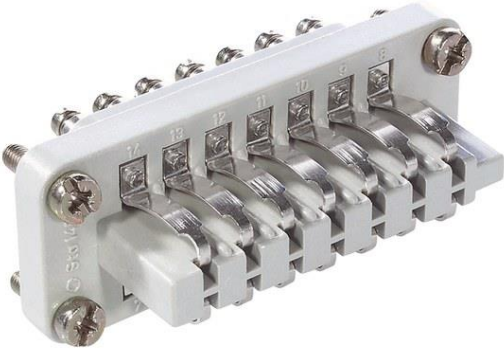
## Standard

Safety Standard	IEC 61984, UL 1977
-----------------	--------------------

Creator: JOKR1/PDP Released: IVSE1/PDP	Document: DB10491100EN Version: 04	Page 1 of 2
---	---------------------------------------	-------------

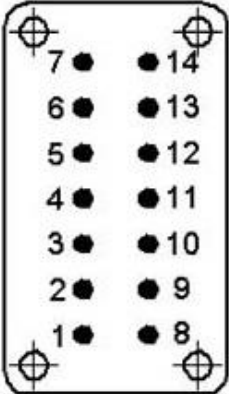
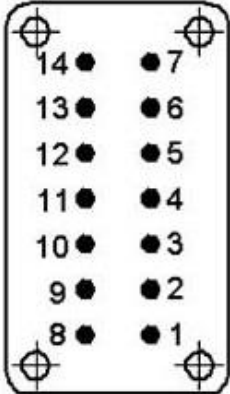
10491100	<b>DATA SHEET</b>	
Valid from: 21.09.2021	EPIC® STA 14 SS / STA 14 FS	

**Technical Drawings**

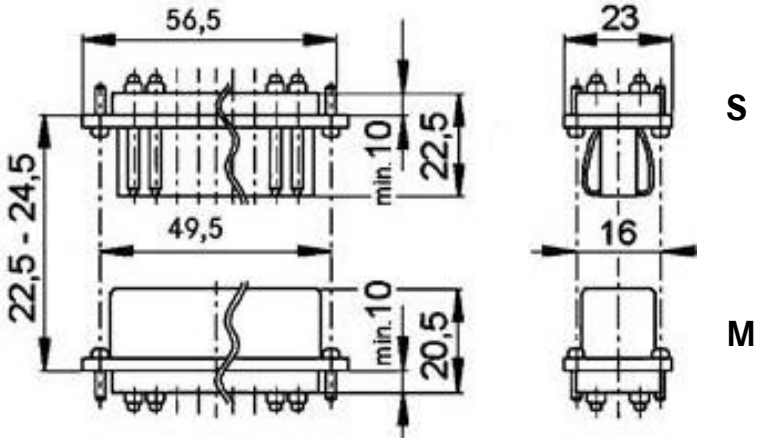


M

S



**Spring**



Industrial machinery and plant engineering

**Application range**

- Control systems
- Rack technology
- Electronic laboratory

**Remark**

Photographs are not to scale and do not represent detailed images of the respective products.

Creator: JOKR1/PDP Released: IVSE1/PDP	Document: DB10491100EN Version: 04	Page 2 of 2
---	---------------------------------------	-------------