


10431600	DATA SHEET	
Valid from: 13.04.2023	EPIC® H-Q 5 SCM PE-S / H-Q 5 BCM PE-S	

Description

- With 5 working contacts in the proven crimp technology and one PE contact with screw termination.
- High performance crimping contacts
- PE contact with screw termination included
- 2 Coding elements with 6 different positions each



General Characteristics

Series	H-Q 5
Version	Male (Article 10431600) Female (Article 10432600)
Number of Contacts	5+PE
Suitable contacts	EPIC® H-BE 2.5 machined contacts EPIC® H-Q 5 PE protection earth contact
Termination Methods	Crimp termination: 0.14 – 4.0 mm ²
Termination Methods PE	Screw termination: 0.25 – 4.0 mm ²
Temperature Range	-40°C to +120°C

Mechanical Characteristics

Cycle of mechanical operation	500
-------------------------------	-----

Electrical Characteristics

Rated Voltage, IEC	400 V
Rated Voltage, UL	600 V
Rated Voltage, CSA	600 V
Rated Impulse Voltage	6 kV
Rated Current, IEC	30 A
Rated Current, UL	30 A
Rated Current, CSA	22 A
Contact Resistance	< 2 mOhm
Degree of Soiling	3

Materials and Surfaces

Contacts	Copper alloy, hard silver/gold-plated
Insulating Body	PA
Flammability Class according to UL 94	V0

Approvals


UL-Approval, E-File-Number	E75770
----------------------------	--------



Standard

Safety Standard	IEC 61984, UL 1977, CSA 22.2 182.3
-----------------	------------------------------------

Creator: STKU3/PDP Released: IVSE1/PDP	Document: DB10431600EN Version: 03	Page 1 of 2
---	---------------------------------------	-------------

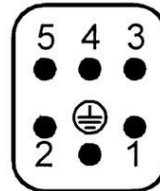
10431600	DATA SHEET	
Valid from: 13.04.2023	EPIC® H-Q 5 SCM PE-S / H-Q 5 BCM PE-S	

Technical Drawings



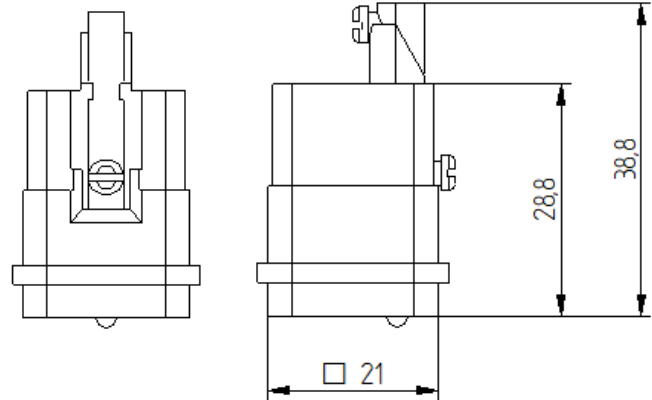
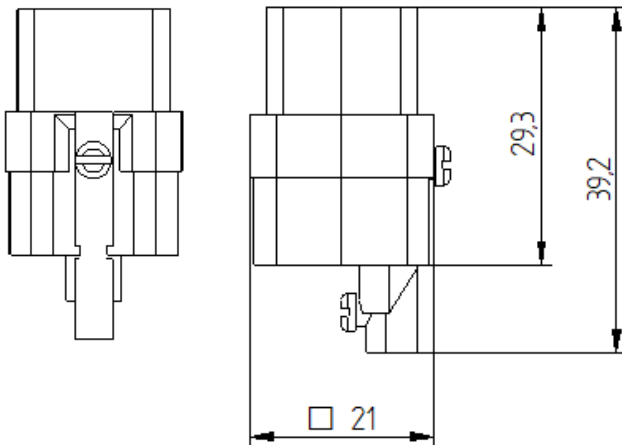
M

F



F

M



Industrial machinery and plant engineering

Info

Compact, powerful standard insert
Space saving, crimping contact

Application range

Machine and equipment manufacturing
Control engineering

Remark

Photographs are not to scale and do not represent detailed images of the respective products.

Creator: STKU3/PDP Released: IVSE1/PDP	Document: DB10431600EN Version: 03	Page 2 of 2
---	---------------------------------------	-------------