


10423500	DATA SHEET	
Valid from: 24.08.2021	EPIC® H-A 3 MAGS	

Description

- Innovative metal housing
- For safe connections in the smallest possible space



General Characteristics

Series	H-A 3
Version	Panel-mount base angled
Locking mechanism	Single lever
Protection rating (DIN EN 60529)	IP 66 (latched)
Protection rating (NEMA 250, UL50E)	4, 12 (latched)
Temperature range	-40 °C to +100 °C, short-term up to +125 °C

Materials and surfaces

Housing, base material	Zinc die-casting
Housing, surface	Powder-coating, grey
Lever	Steel, zinc-plated
Gasket	NBR

Standards

Safety Standard	IEC 61984
-----------------	-----------


Approvals

cURus and VDE in preparation.

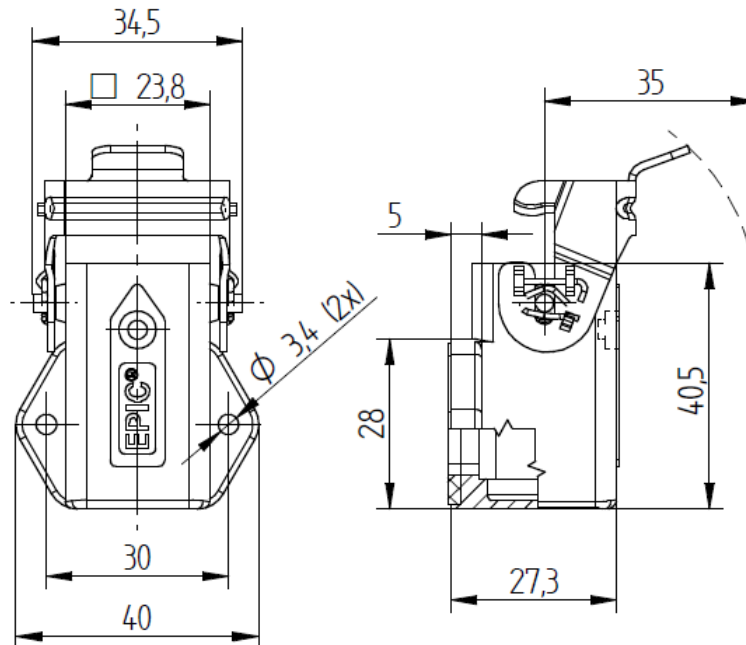
Versions

Article number	Article description	PU
10423500	EPIC® H-A 3 MAGS PANEL MOUNT BASE	10
10423501	EPIC® H-A 3 MAGS (1)	1

Creator: TODV1/PDP Released: VACH1/PDP	Document: DB10423500EN Version: 02	Page 1 of 2
---	---------------------------------------	-------------

10423500	DATA SHEET	
Valid from: 24.08.2021	EPIC® H-A 3 MAGS	

Drawings



Industrial machinery and plant engineering



Mechanical resistance



Robust



Waterproof

Info

Compact, robust metal housings size H-A 3

Application range

Machine and equipment manufacturing
Control engineering
Electronic laboratory

Remark

Photographs are not to scale and do not represent detailed images of the respective products.

Creator: TODV1/PDP Released: VACH1/PDP	Document: DB10423500EN Version: 02	Page 2 of 2
---	---------------------------------------	-------------