


| | | |
|---------------------------|---|---|
| 10423204 | DATA SHEET |  |
| Valid from: 17.09.2018 | EPIC[®] ULTRA H-A 3 TBF M20 | |

Description

- EMC protection
- Corrosion-resistant
- Protection rating UL50E tested
- All-purpose due to high corrosion resistance and high environmental protection



General characteristics

| | |
|-------------------------------------|--|
| Series | ULTRA H-A 3 |
| Version | Cable coupler hood M20 |
| Locking mechanism | single lever |
| Cable entry | straight |
| Thread | M20x1,5 |
| Protection (DIN EN 60529) | IP 65 (latched) |
| Protection (NEMA 250, UL50E) | 4, 4X, 12 (latched) |
| Temperature range | -40°C to +100°C, short-term up to +125°C |
| Holding screws for inserts included | yes |

Materials and surfaces

| | |
|----------------------------|------------------|
| Housing, base material | zinc die-casting |
| Housing, surface | nickel-plated |
| Lever | stainless steel |
| Holding screws for inserts | stainless steel |


Approvals

| | |
|----------------------------|------|
| VDE-Approval, VDE-REG.-Nr. | B437 |
|----------------------------|------|

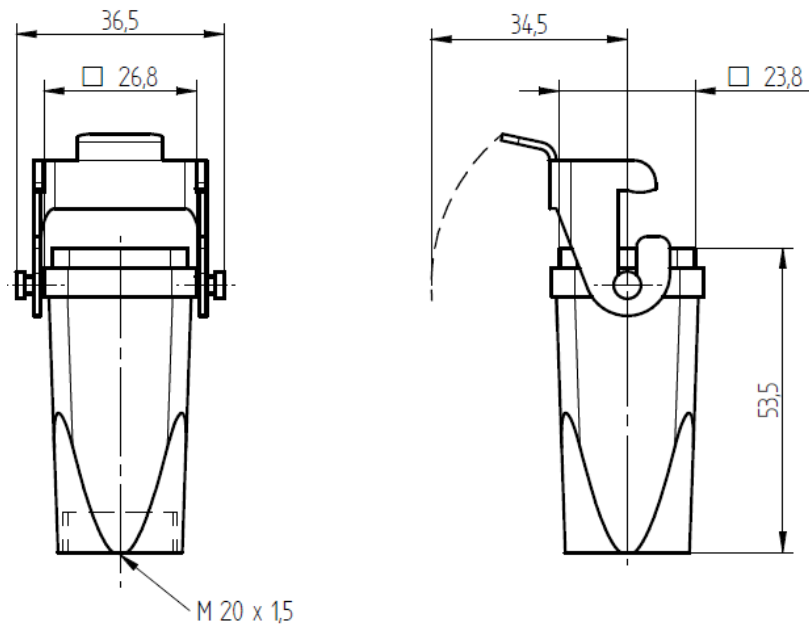
Standards

| | |
|-----------------|-----------|
| Safety Standard | IEC 61984 |
|-----------------|-----------|

| | | |
|---|---------------------------------------|-------------|
| Creator: MANA2/PDP Released: IVSE1/PDP | Document: DB10423204EN Version: 02 | Page 1 of 2 |
|---|---------------------------------------|-------------|

| | | |
|---------------------------|---------------------------------------|---|
| 10423204 | DATA SHEET |  |
| Valid from: 17.09.2018 | EPIC [®] ULTRA H-A 3 TBF M20 | |

Drawings



Remark

Photographs are not to scale and do not represent detailed images of the respective products.

| | | |
|---|---------------------------------------|-------------|
| Creator: MANA2/PDP Released: IVSE1/PDP | Document: DB10423204EN Version: 02 | Page 2 of 2 |
|---|---------------------------------------|-------------|