
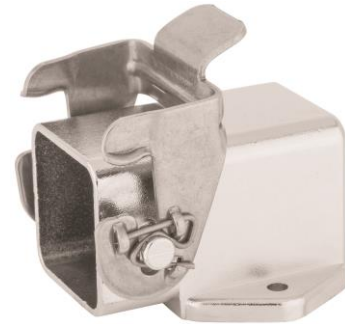


10423203	<b>DATA SHEET</b>	
Valid from: 18.09.2018	<b>EPIC® ULTRA H-A 3 MAGSV open M20</b>	

## Description

- EMC protection
- Corrosion-resistant
- Protection rating UL50E tested
- All-purpose due to high corrosion resistance and high environmental protection



## General characteristics

Series	ULTRA H-A 3
Version	Surface-mount base M20
Locking mechanism	Single lever
Cable entry	Lateral
Thread	M20x1.5
Protection (DIN EN 60529)	IP 65 (latched)
Protection (NEMA 250, UL50E)	4, 4X, 12 (latched)
Temperature range	-40°C to +100°C, short-term up to +125°C
Holding screws for inserts included	Yes
Cable Gland included	No

## Materials and surfaces

Housing, base material	Zinc die-casting
Housing, surface	Nickel-plated
Lever	Stainless steel
Holding screws for inserts	Stainless steel
Gasket	NBR


## Approvals

VDE-Approval, VDE-REG.-Nr.	B437
UL-Approval, E-File Number	E75770

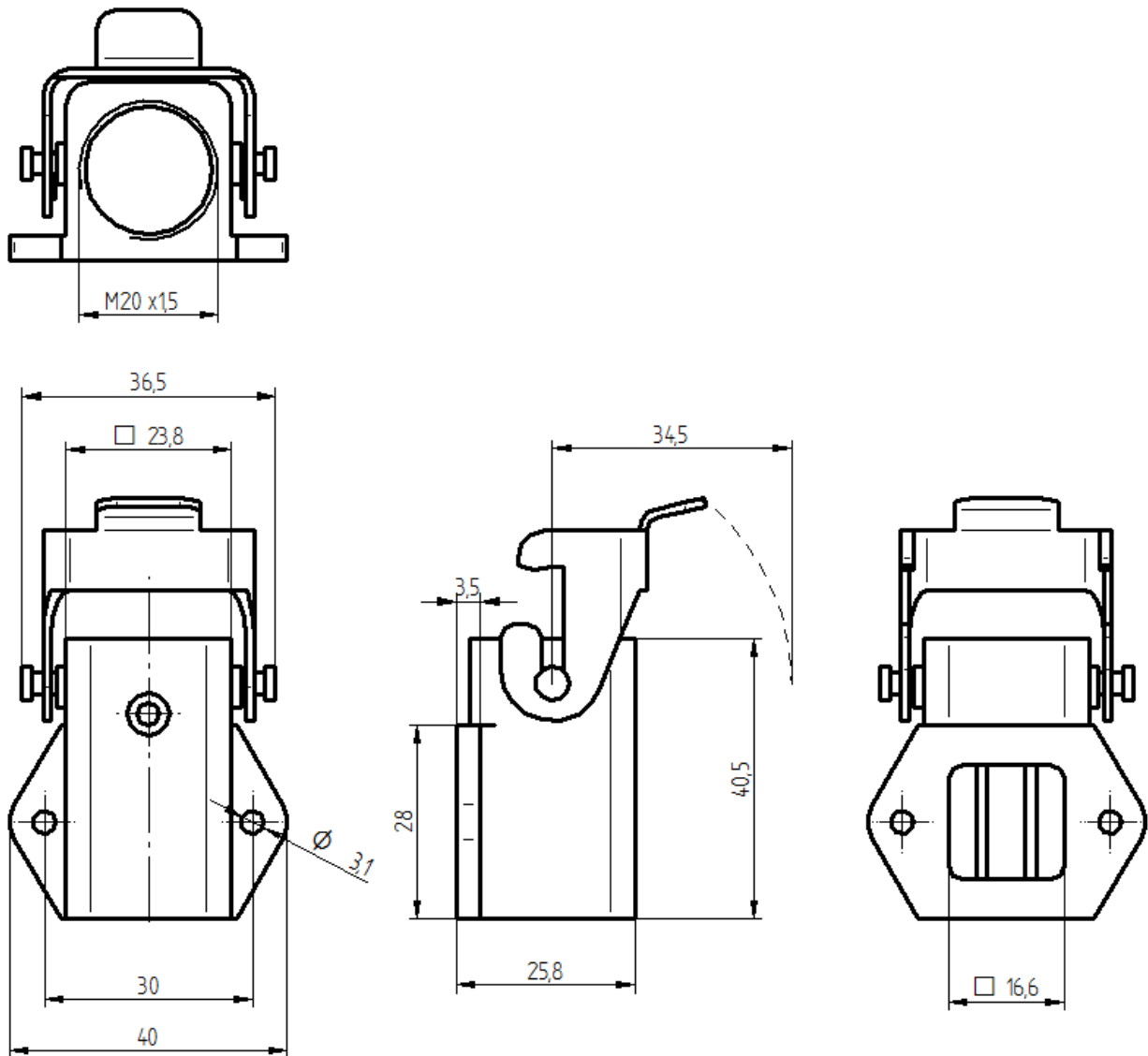
## Standard

Safety Standard	IEC 61984; UL 1977
-----------------	--------------------

Creator: MANA2/PDP Released: IVSE1/PDP	Document: DB10423203EN Version: 02	Page 1 of 2
---	---------------------------------------	-------------

10423203	<b>DATA SHEET</b>	
Valid from: 18.09.2018	<b>EPIC<sup>®</sup> ULTRA H-A 3 MAGSV open M20</b>	

### Technical Drawings



### Remark

Photographs are not to scale and do not represent detailed images of the respective products.

Creator: MANA2/PDP Released: IVSE1/PDP	Document: DB10423203EN Version: 02	Page 2 of 2
---	---------------------------------------	-------------