


10423000	<b>DATA SHEET</b>	
Valid from: 12.09.2022	<b>EPIC® H-A 3 AGS</b>	

## Description

- Compact housing for power supply in the smallest place.



## General Characteristics

Series	H-A 3
Version	Panel mount base, angled
Locking	Single lever
Protection (DIN EN 60529)	IP 65 (latched)
Protection (NEMA 250, UL50E)	4, 12 (latched)
Temperature Range	-40°C to +100°C, short term up to +125°C

## Materials / Surfaces

Housing	PA
Locking	Steel, zinc-plated
Sealing	NBR
Flammability Class according to UL94	HB

## Approvals

VDE-Approval, VDE-REG.-Nr.	B437
UL-Approval, E-File-Number	E75770


## Standard

Safety Standard	DIN EN 60529
-----------------	--------------

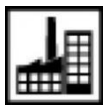
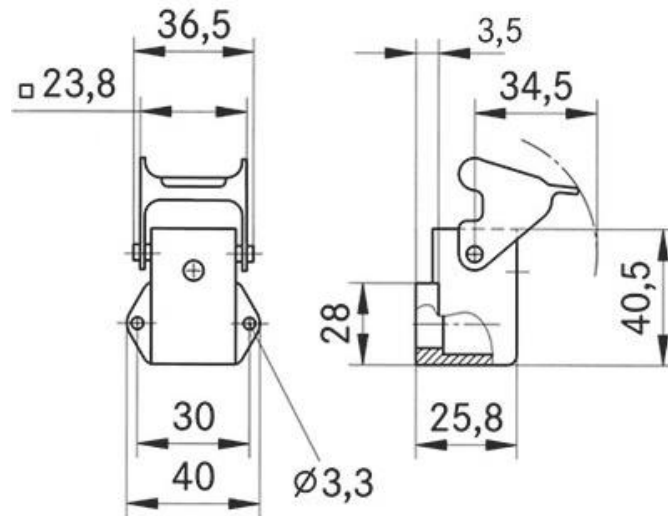
## Versions

Article number	Article description	Color
10423000	EPIC® H-A 3 AGS	Grey (RAL 7035)
10423100	EPIC® H-A 3 AGS BK	Black (RAL 9005)

Creator: BEGE1/PDP Released: IVSE1/PDP	Document: DB10423000EN Version: 02	Page 1 of 2
---	---------------------------------------	-------------

10423000	<b>DATA SHEET</b>	
Valid from: 12.09.2022	<b>EPIC® H-A 3 AGS</b>	

### Technical Drawings



Industrial machinery and plant engineering



Mechanical resistance



Robust



Waterproof

### Application range

Machine and equipment manufacturing, control engineering, electronic laboratory

### Remark

Photographs are not to scale and do not represent detailed images of the respective products.

Creator: BEGE1/PDP Released: IVSE1/PDP	Document: DB10423000EN Version: 02	Page 2 of 2
---	---------------------------------------	-------------