


10422000	DATA SHEET	
Valid from: 12.09.2022	EPIC® H-A 3 AG	

Description

- Compact housing for power supply in the smallest place.



General Characteristics

Series	H-A 3
Version	Panel mount base
Locking	Single lever
Protection (DIN EN 60529)	IP 65 (latched)
Protection (NEMA 250, UL50E)	4, 12 (latched)
Temperature Range	-40°C to +100°C, short term up to +125°C

Materials / Surfaces

Housing	PA
Locking	Steel, zinc-plated
Sealing	NBR
Flammability Class according to UL94	HB

Approvals

VDE-Approval, VDE-REG.-Nr.	B437
UL-Approval, E-File-Number	E75770


Standard

Safety Standard	DIN EN 60529
-----------------	--------------

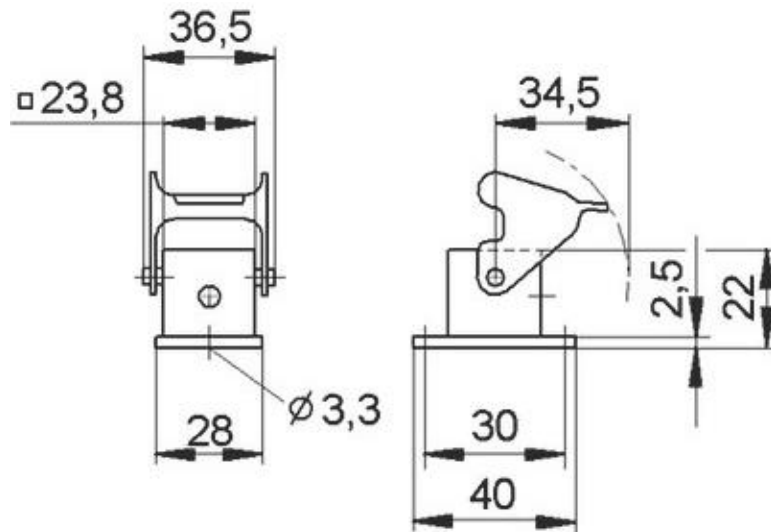
Versions

Article number	Article description	Color
10422000	EPIC® H-A 3 AG	Grey (RAL 7035)
10422200	EPIC® H-A 3 AG BK	Black (RAL 9005)

Creator: BEGE1/PDP Released: IVSE1/PDP	Document: DB10422000EN Version: 02	Page 1 of 2
---	---------------------------------------	-------------

10422000	DATA SHEET	
Valid from: 12.09.2022	EPIC® H-A 3 AG	

Technical Drawings



Industrial machinery and plant engineering



Mechanical resistance



Robust



Waterproof

Application range

Machine and equipment manufacturing, control engineering, electronic laboratory

Remark

Photographs are not to scale and do not represent detailed images of the respective products.

Creator: BEGE1/PDP Released: IVSE1/PDP	Document: DB10422000EN Version: 02	Page 2 of 2
---	---------------------------------------	-------------