


00010108	DATA SHEET	
Valid from: 28.07.2021	EPIC® SIGNAL M23 C2 12 Pin	

Description

- Circular connectors for servo cables and encoder
- Quick and easy separation of the connection from both sides of the wall
- For the connection of two preassembled M23 D6 cable connectors



General characteristics

Series	M23 Signal
Type	C2
Version	Feed-through housing
Connection type	Combination, Female and Male insert
Coding	N (no additional black marking)
Pin-arrangement	12E male - 12P female
Contact diameter	1 mm
Mounting type	Ø 2,7 (4x)
Maximum mounting wall thickness	3 mm
Degree of protection	IP 67 (mated and locked)
Cycles of mechanical operation	500
Temperature range	-40°C to +100°C, short-term up to +125°C


Electrical characteristics

Rated voltage	24 V AC / 60 V DC
Rated impulse voltage	1.5 kV (according to IEC 60664-1)
Rated current	7.5 A
Contact resistance	< 3 mOhm

Materials and surfaces

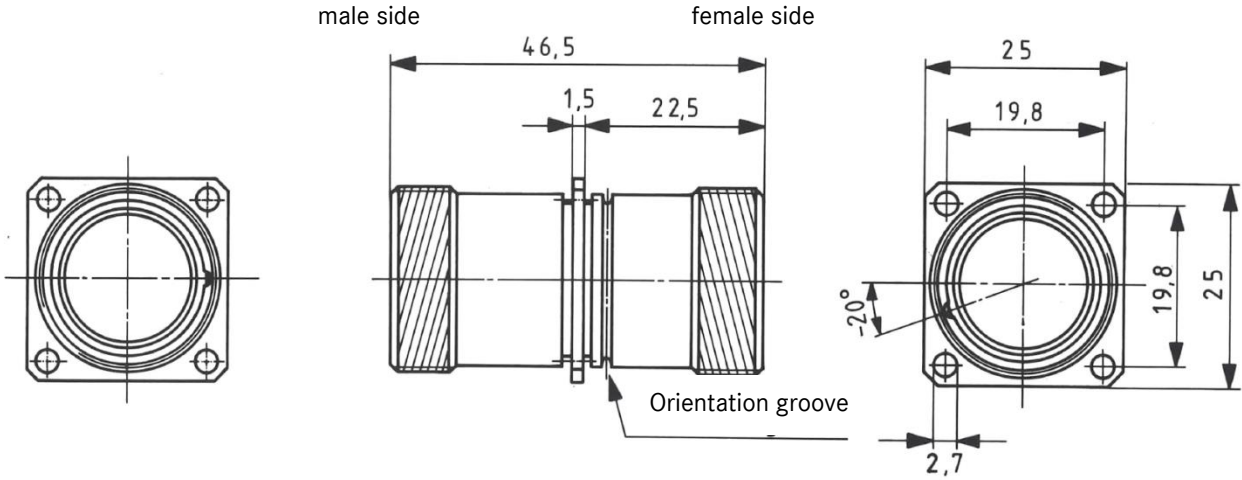
Housing, base material	Copper alloy
Housing, surface	Ni
Insulation body, material	Thermoplastic
UL 94 flammability class	V0
Contacts, base material	Copper alloy
Contacts, surface	Au
Gaskets	Chloroprene rubber

Creator: STKU3/PDP Released: IVSE1/PDP	Document: DB00010108EN Version: 02	Page 1 of 3
---	---------------------------------------	-------------

00010108	DATA SHEET	
Valid from: 28.07.2021	EPIC® SIGNAL M23 C2 12 Pin	

Technical Drawings

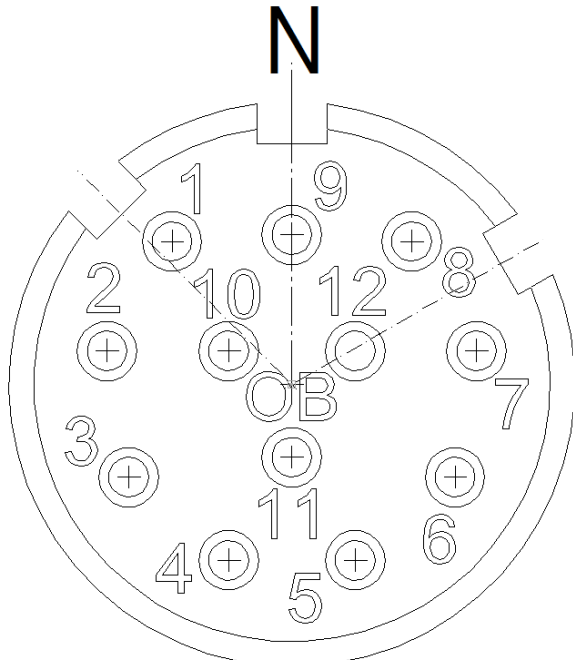
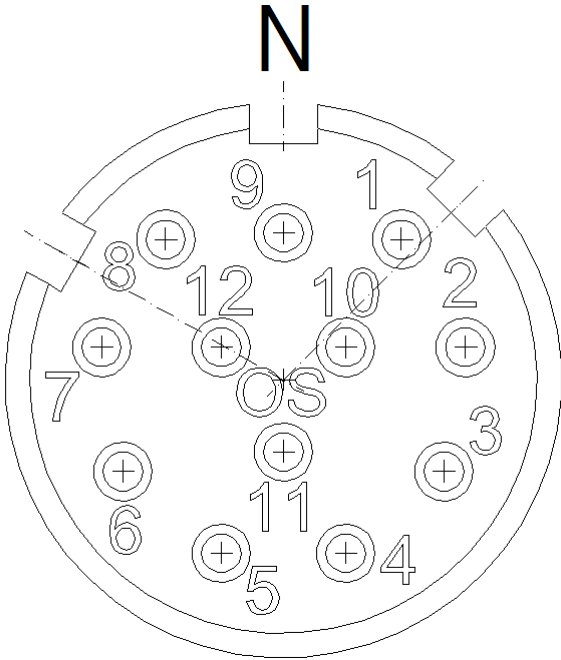
Housing




Inserts

View on mating side male pin insert

View on mating side female pin insert



00010108	DATA SHEET	
Valid from: 28.07.2021	EPIC® SIGNAL M23 C2 12 Pin	



Corrosion-resistant



Mechanical and Plant Engineering



Mechanical resistance



Space requirement

Application range

Machine and equipment manufacturing
Measurement and control technology

Remark

Photographs are not to scale and do not represent detailed images of the respective products.

Creator: STKU3/PDP Released: IVSE1/PDP	Document: DB00010108EN Version: 02	Page 3 of 3
---	---------------------------------------	-------------