


6180 5109	DATA SHEET	
Valid from: 26.03.2021	SILVYN® FPAD-M	

SILVYN® FPAD-M is a conduit gland with a fast connector and integrated cable gland.

Can remove by using a screwdriver.

The gland is suitable for the conduit SILVYN® FPAS and can be used in the industry and for electro installation.

Material:

Body Polyamide
Sealing NBR

Technical Features:

Connecting thread M16x1,5 up to M25x1,5
Nominal width NW16 up to NW28
Protection class SILVYN® FPAD-M IP66 IP66 acc. to EN 60529
Protection class SILVYN® FPAD-M IP68 IP66 acc. to EN 60529
IP68 – 2bar / 30min acc. to EN 60529*
In combination with SILVYN® FPAS
*By additional sealing with LOCTITE® SI 5331 on the function thread, acc. to manufacturer instruction
Temperature range -20°C up to +100°C

Additional features:

Free of halogen and lead
UV-Resistant

Color:

Black



Approvals:

Reference standards:


DIN EN 61386-23

Suitable conduits:

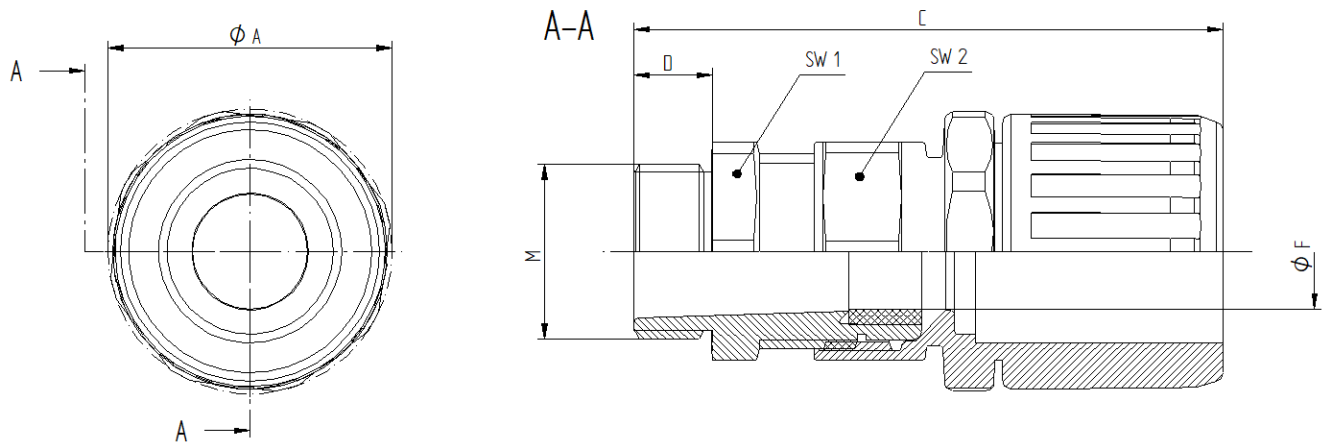
SILVYN® FPAS

For more information please see our current catalogue. Please do not hesitate to contact our laboratory if there are any questions regarding resistance against aggressive agents and special oil.

Creator: MAU1/PDP Released: DAMU1/PDP	Document: DB61805109EN Version: 01	Page 1 of 2
--	---------------------------------------	-------------

6180 5109	DATA SHEET	
Valid from: 26.03.2021	SILVYN® FPAD-M	

Product drawing:



Dimension table:

Part No.	NW	Thread M	Thread length D mm	Length C mm	Clamping range Ø F mm	Outer diameter ØA mm	SW 1	SW 2
SILVYN FPAD-M IP68								
6180 5109	16	M16x1,5	8	62	4,5 - 10	28	19	19
6180 5110	21	M20x1,5	9	65	7 - 13	32	25	25
6180 5111	28	M25x1,5	10	74	8 - 17	44	30	30
SILVYN FPAD-M IP66								
6180 5112	16	M16x1,5	8	63	4,5 - 10	28	19	19
6180 5113	20	M20x1,5	9	66	7 - 13	32	25	25
6180 5114	25	M25x1,5	10	74	8 - 17	39	30	30