


70503000	DATA SHEET	
Valid from: 29.08.2022	EPIC® H-A 32 AD	

Description

- The large, robust housing for two inserts of size 16.



General Characteristics

Series	H-A 32
Version	Panel mount base with cover
Locking	Bolts for double lever
Protection (DIN EN 60529)	IP 65 (latched)
Temperature Range	-40°C to +100°C, short term up to +125°C

Materials / Surfaces

Housing	Aluminium alloy, powder-coated, grey
Locking	Steel, zinc-plated
Sealing	NBR
Cover	Aluminium alloy, powder-coated, grey


Standard

Safety Standard	IEC 61984
-----------------	-----------

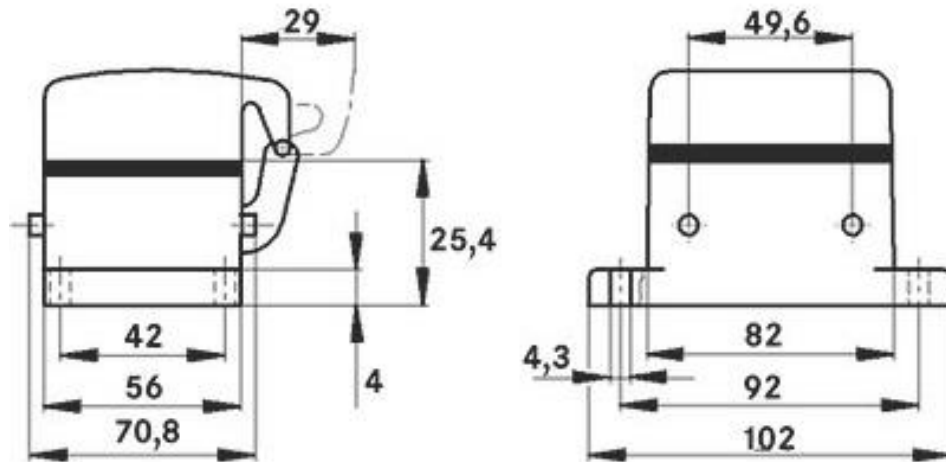
Versions

Article number	Article description
70503000	EPIC® H-A 32 AD-BO

Creator: BEGE1/PDP Released: IVSE1/PDP	Document: DB70503000EN Version: 00	Page 1 of 2
---	---------------------------------------	-------------

70503000	DATA SHEET	
Valid from: 29.08.2022	EPIC® H-A 32 AD	

Technical Drawings



Industrial machinery and plant engineering



Mechanical resistance



Robust



Waterproof

Application range

Machine and equipment manufacturing, Control engineering

Remark

Photographs are not to scale and do not represent detailed images of the respective products.

Creator: BEGE1/PDP Released: IVSE1/PDP	Document: DB70503000EN Version: 00	Page 2 of 2
---	---------------------------------------	-------------