

19582000	DATA SHEET	
Valid from: 29.08.2022	EPIC® H-A 32 TG	

Description

- The large, robust housing for two inserts of size 16.



General Characteristics

Series	H-A 32
Version	Hood
Locking	Bolts for double lever
Cable entry	1x straight, see table
Gland body	See table
Protection (DIN EN 60529)	IP 65 (latched)
Temperature Range	-40°C to +100°C, short term up to +125°C

Materials / Surfaces

Housing	Aluminium alloy, powder-coated, grey
Locking	Steel, zinc-plated
Gland body	Brass, nickel-plated

Standard

Safety Standard	IEC 61984
-----------------	-----------

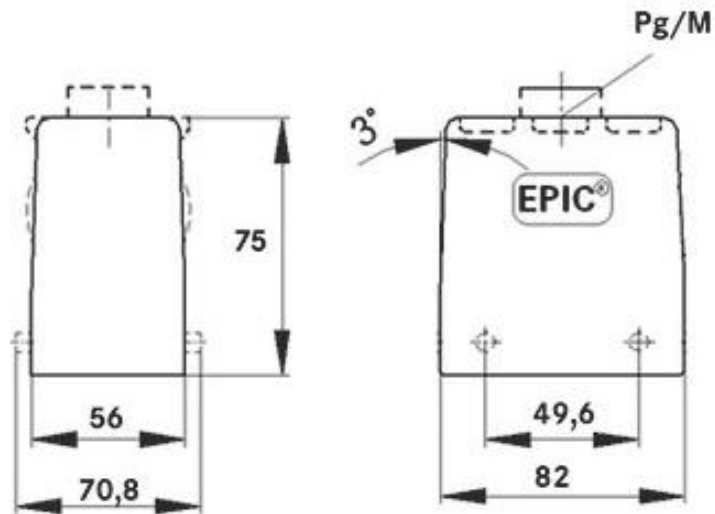
Versions

Article number	Article description	Cable entry	Gland body
10582000	EPIC® H-A 32 TG 21 ZW	Pg 21	Yes
10582001	EPIC® H-A 32 TG 21	Pg 21	No
10583000	EPIC® H-A 32 TG 29 ZW	Pg 29	Yes
19582000	EPIC® H-A 32 TG M25	M25	No
19583000	EPIC® H-A 32 TG M32	M32	No
79520600	EPIC® H-A 32 TG M40	M40	No

Creator: BEGE1/PDP Released: IVSE1/PDP	Document: DB19582000EN Version: 00	Page 1 of 2
---	---------------------------------------	-------------

19582000	DATA SHEET	
Valid from: 29.08.2022	EPIC® H-A 32 TG	

Technical Drawings



Industrial machinery and plant engineering



Mechanical resistance



Robust



Waterproof

Application range

Machine and equipment manufacturing, Control engineering

Remark

Photographs are not to scale and do not represent detailed images of the respective products.

Creator: BEGE1/PDP Released: IVSE1/PDP	Document: DB19582000EN Version: 00	Page 2 of 2
---	---------------------------------------	-------------