


10422507	<b>DATA SHEET</b>	
Valid from: 25.03.2021	<b>EPIC® H-A 3 MTSV</b>	

## Description

- Innovative metal housing
- For safe connections in the smallest possible space

## General characteristics

Series	H-A 3
Version	Hood
Locking mechanism	Bolts for single lever
Cable entry	Lateral
Cable gland	Integrated
Clamping range	7-13 mm
Protection rating (DIN EN 60529)	IP 66 (latched) IP 68 - 1 meter / 10 hours (latched)
Protection rating (NEMA 250, UL50E)	4, 12 (latched)
Temperature range	-40 °C to +100 °C, short-term up to +125 °C



## Materials and surfaces

Housing, base material	Zinc die-casting
Housing, surface	Powder-coating, grey
Cap nut	Brass, nickel-plated
Insert with lamellar cage	Polyamide
Sealing ring	CR


## Standard

Safety Standard	IEC 61984
-----------------	-----------

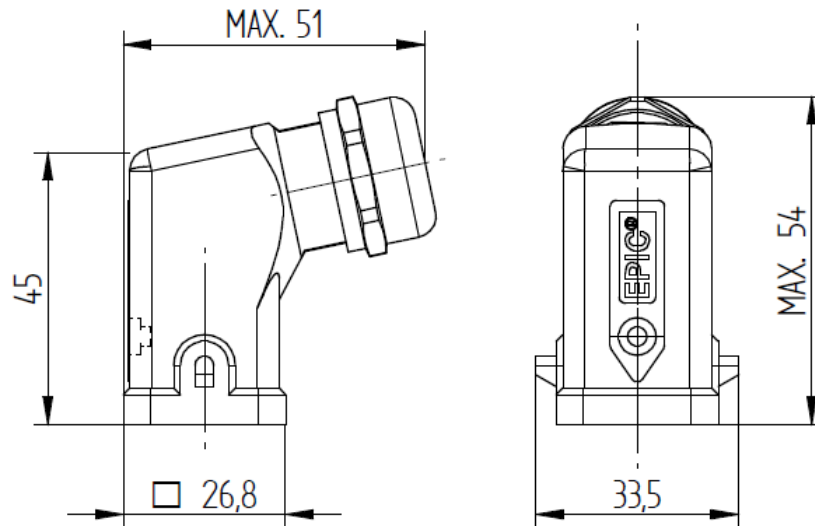
## Approvals

cURus and VDE in preparation.

Creator: TODV1/PDP Released: VACH1/PDP	Document: DB10422507EN Version: 00	Page 1 of 2
---	---------------------------------------	-------------

10422507	<b>DATA SHEET</b>	
Valid from: 25.03.2021	<b>EPIC® H-A 3 MTSV</b>	

## Technical Drawings



Industrial machinery and plant engineering



Mechanical resistance



Robust



Waterproof

### Info

Compact, robust metal housings size H-A 3

### Application range

Machine and equipment manufacturing  
Control engineering  
Electronic laboratory

### Remark

Photographs are not to scale and do not represent detailed images of the respective products.

Creator: TODV1/PDP Released: VACH1/PDP	Document: DB10422507EN Version: 00	Page 2 of 2
---	---------------------------------------	-------------