


2172207	<b>DATA SHEET</b>	
Valid from: 08.12.2020	<b>IE-6-M12XF-S-(L*)-P-4-26-FD-M12X-S</b>	

## Description

- Ethernet patchcords Cat.6, shielded
- For industrial ethernet and cable chain
- Consisting of straight M12-plug and M12-jack



## General characteristics

Connection method, connector	M12x1-plug, x-code M12x1-jack, x-code
Number of pins	8
Ambient temperature	-30°C to +80°C (-22°F to 176°F) (fixed installation) -30°C to +70°C (-22°F to 158°F) (flexible installation)
Degree of protection	IP 65, IP 67 (M12 -plugged and locked)
Shielding	shielded
Tightening torque	1.0 Nm (M12-connector) 2.0 Nm (M12-flange nut)

## Variation

Article	Description	Length (L*) [m]
2172207	IE-6-M12XF-S-0,5-P-4-26-FD-M12X-S	0.5
2172208	IE-6-M12XF-S-1-P-4-26-FD-M12X-S	1
2172209	IE-6-M12XF-S-2-P-4-26-FD-M12X-S	2
2172210	IE-6-M12XF-S-3-P-4-26-FD-M12X-S	3
2172211	IE-6-M12XF-S-5-P-4-26-FD-M12X-S	5
2172212	IE-6-M12XF-S-7-P-4-26-FD-M12X-S	7
2172213	IE-6-M12XF-S-10-P-4-26-FD-M12X-S	10
2172214	IE-6-M12XF-S-15-P-4-26-FD-M12X-S	15
2172215	IE-6-M12XF-S-20-P-4-26-FD-M12X-S	20

## Additional note

Data sheet also valid for variant lengths. Other lengths on request.

## Electrical properties

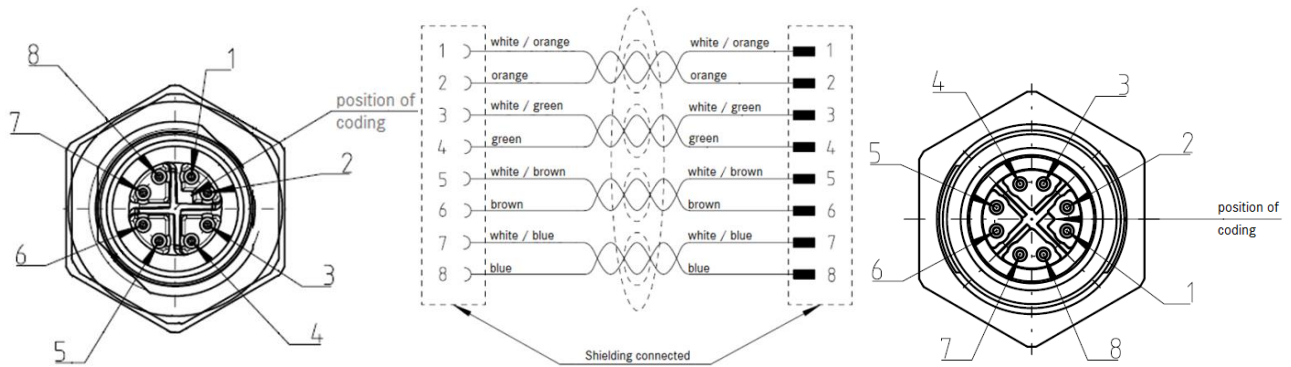
Rated voltage	50 VAC / 60 VDC
Rated current at 40 °C	0.5 A
Pollution degree	3 (M12 -plugged and locked)

## Transmission characteristics

Category (ISO)	6
----------------	---

Creator: FELI1/PDP Released: IVSE1/PDP	Document: DB2172207EN Version: 00	Page 1 of 3
---	--------------------------------------	-------------

### Connector pin assignment



### Mechanical properties

#### M12-plug

Inflammability class according to UL 94  
Housing, material  
Contact, material  
Contact carrier, material  
Knurl, material  
Handle, material

TPU → HB  
Cu, nickel plated  
CuNi, gold plated  
TPU, natur  
Cu, nickel plated  
TPU, black

#### M12-jack

Inflammability class according to UL 94

Contact, material  
Contact carrier, material  
Housing, material  
Handle, material  
Seal outer, material  
Seal inner, material  
Nut, material

TPU → HB  
NBR, FPM/FKM → none  
CuNi, gold plated  
TPU, green  
Cu, nickel plated  
TPU, black  
NBR, black  
FPM/FKM, red  
Cu, nickel plated

#### Line (Lapp article number: 2170488)

Cable construction  
Conductor diameter including isolation  
Cable outer diameter  
Insulation color


4x2x AWG 26 / 19  
0.98 mm  
7.8 mm  
white/blue, blue, white/orange, orange,  
white/green, green, white/brown, brown  
green, similar RAL 6018  
Alufoil (overlapped)  
Braid made of tinned copper wires  
4 x cable outer diameter (fixed installation)  
7.5 x cable outer diameter (flexible installation)

Sheath color  
Type of pair shielding  
Shielding  
Bending radius

Number of bending cycle  
Traveling distance  
Travel speed  
Acceleration  
Cable weight  
Outer coating, material  
Wire insulation, material  
Flame resistance

1.000.000  
10 m  
4 m/s  
4 m/s<sup>2</sup>  
63 kg/km  
PUR  
PP  
acc. IEC 60332-1-2  
acc. CSA FT1 und NEC VW-1  
acc. CSA 22.2, 4 days/100 °C (212 °F)

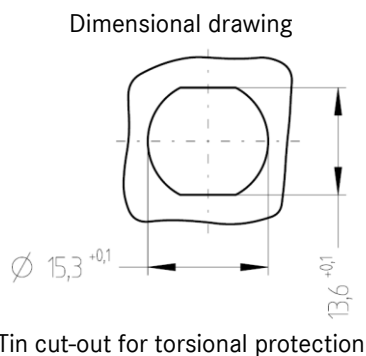
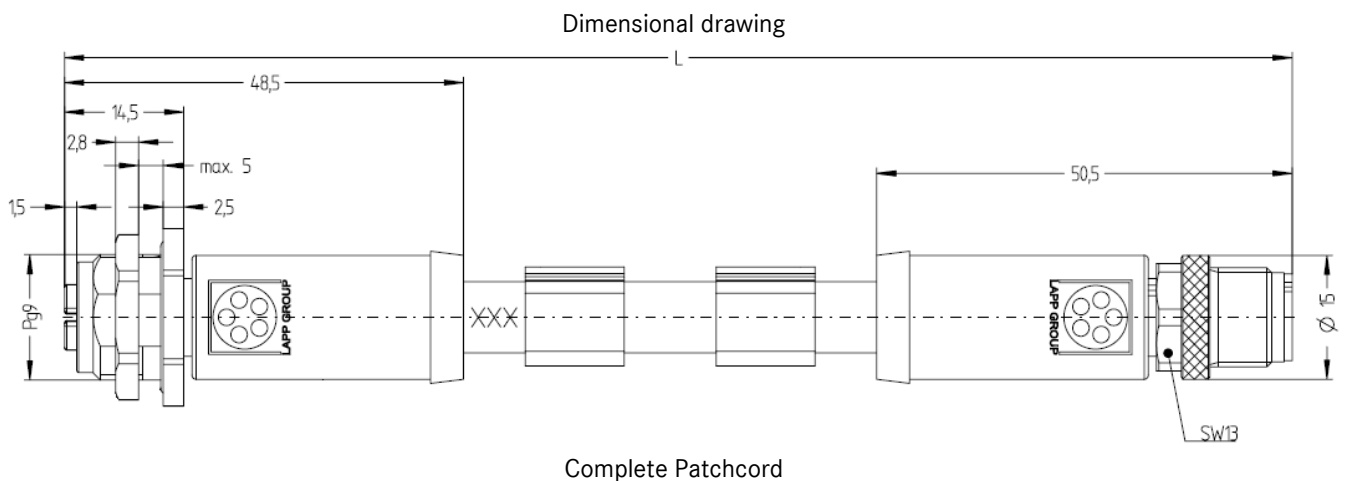
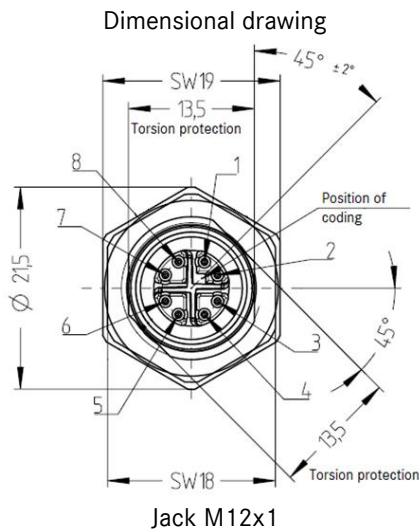
Oil resistance

2172207	<b>DATA SHEET</b>	
Valid from: 08.12.2020	<b>IE-6-M12XF-S-(L*)-P-4-26-FD-M12X-S</b>	

### Standards / Approvals

Product standard, M12-connector IEC 61076-2-109  
 Generic cabling for customer premises – General requirements ISO/IEC 11801

### Technical drawing



### Application range

Automation, industrial machinery and plant engineering

### Note

Photographs are not true to scale and do not represent detailed images of the respective products.

Creator: FELI1/PDP Released: IVSE1/PDP	Document: DB2172207EN Version: 00	Page 3 of 3
---	--------------------------------------	-------------