


555 10000	<b>DATA SHEET</b>	
Valid from: 27.05.2020	<b>SILVYN® BMC-M</b>	

SILVYN® BMC-M is a brass coupler with two metric threads. Protection conduits can be extended by the coupler.

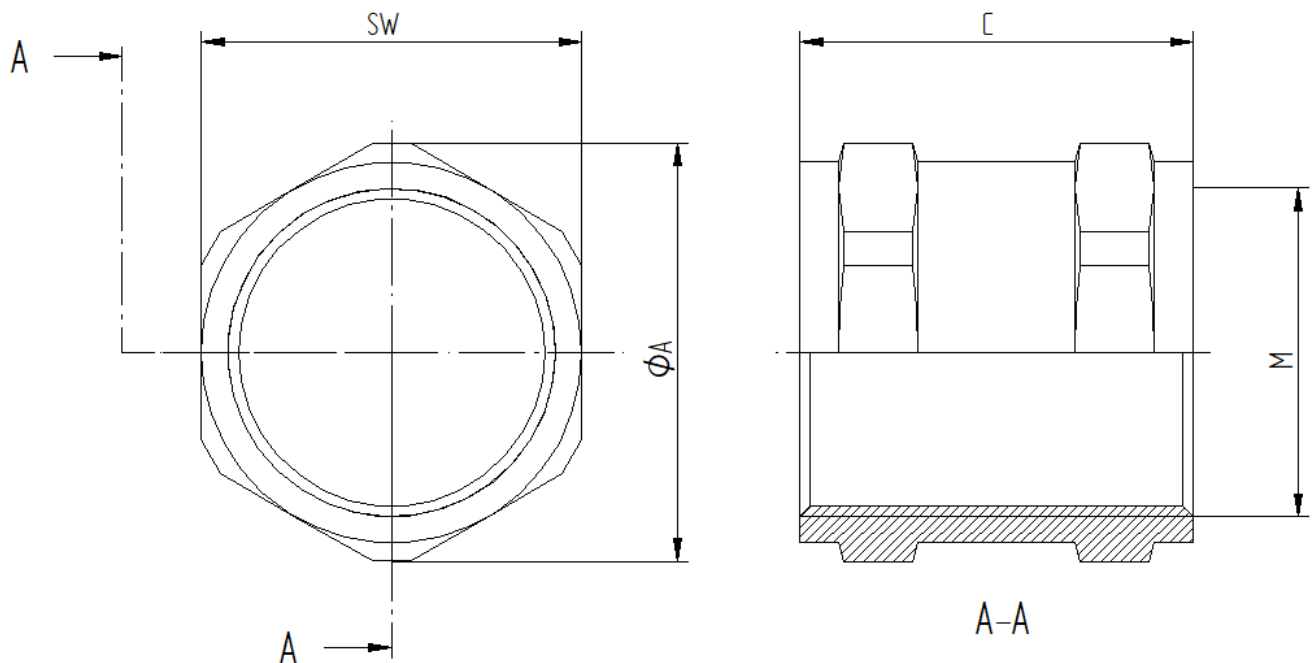


**Material:** Brass, nickel plated

**Features:** High mechanical strength  
Corrosion resistant

**Temperature range:** -100°C up to +300°C

**Protection class:** Up to IP68, depended on the used SILVYN® Conduit system



**Dimension table:**

Part No.	Description	Thread M mm	Length C mm	Diameter A mm	Wrench Size SW
5551 0000	SILVYN® BMC-M 16x1,5	16x1,5	22,5	22,0	20
5551 0010	SILVYN® BMC-M 20x1,5	20x1,5	25,0	26,4	24
5551 0020	SILVYN® BMC-M 25x1,5	25x1,5	30,0	31,9	29
5551 0030	SILVYN® BMC-M 32x1,5	32x1,5	32,5	38,5	35
5551 0040	SILVYN® BMC-M 40x1,5	40x1,5	34,0	53,0	48
5551 0050	SILVYN® BMC-M 50x1,5	50x1,5	38,0	63,8	58
5551 0060	SILVYN® BMC-M 63x1,5	63x1,5	45,0	77,0	70
5551 0070	SILVYN® BMC-M 75x1,5	75x1,5	45,0	93,0	84

For more information please see our current catalogue. Please do not hesitate to contact our laboratory if there are any questions regarding resistance against aggressive agents and special oil.

Creator: MAU1 /PDP Released: DAMU1/PDP	Document: DB55510000EN Version: 02	Page 1 of 1
---	---------------------------------------	-------------