


5550 6129	<b>DATA SHEET</b>	
Valid from: 11.06.2019	<b>SILVYN® MSK-U-M</b>	

The SILVYN® MSK-U-M is a universal coupler with an integrated SKINTOP® cable gland, for using with metric SILVYN® conduit glands. The coupler gives SILVYN® protection conduit systems the option for an additional strain relief and sealing of cables.



**Material:**

Body	Brass, nickel plated
Sealing	NBR
Lamellar insert	Polyamide
O-Ring	NBR

**Technical Features:**

Connecting thread	M12x1,5 up to M63x1,5 acc. to DIN 60423
Protection class	IP66 acc. to DIN EN 60529 IP68 – 10bar / 30min acc. to DIN EN 60529
Temperature range	Dynamic        -25°C up to +100°C Static         -40°C up to +100°C
Strain relief	Category A acc. to DIN 62444

**Notes:**

By the appropriate installation, liquid can ingress into the conduit via the function thread, an additional sealing is recommended!




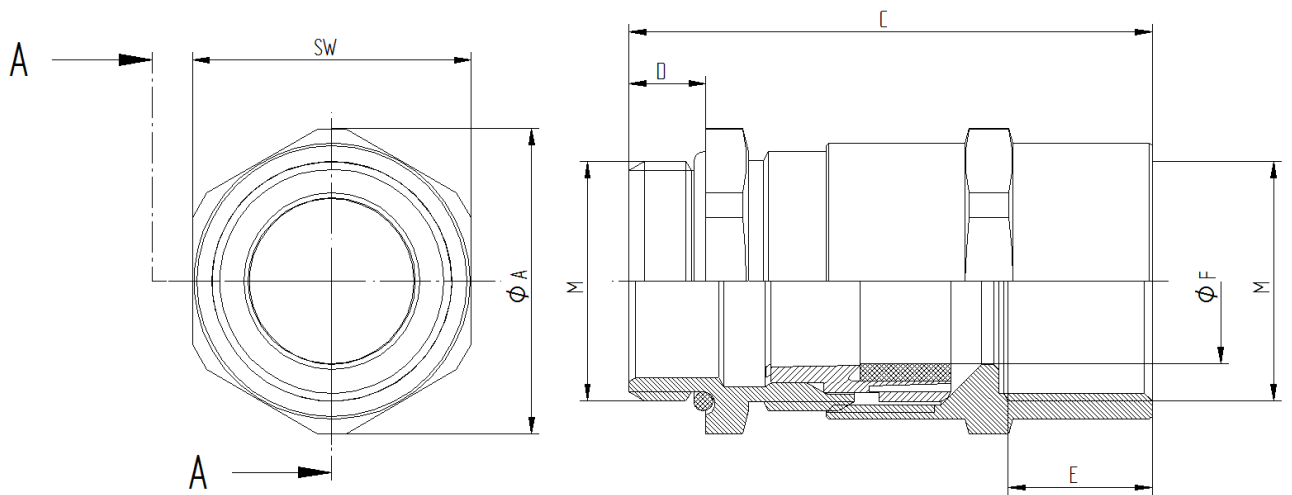
**Approvals:**

**Reference standards:** DIN 62444

For more information please see our current catalogue. Please do not hesitate to contact our laboratory if there are any questions regarding resistance against aggressive agents and special oil.

Creator: MAU1/PDP Released: DAMU1/PDP	Document: DB55506129EN Version: 01	Page 1 of 2
--	---------------------------------------	-------------

5550 6129	<b>DATA SHEET</b>	
Valid from: 11.06.2019	<b>SILVYN® MSK-U-M</b>	



**Dimension table:**

Part No.	Thread M	Wrench Size SW	Thread length mm		Diameter mm Ø A	Clamping range mm ØF	Length mm C
			D	E			
5550 6129	M12 x 1,5	16	6,5	12,5	17,6	3,5 - 7,0	42,0
5550 6130	M16 x 1,5	20	7,0	13,0	22,0	4,5 - 10,0	46,5
5550 6131	M20 x 1,5	24	8,0	14,5	26,4	7,0 - 13,0	52,0
5550 6132	M25 x 1,5	29	8,0	14,5	31,9	9,0 - 17,0	54,5
5550 6133	M32 x 1,5	36	9,0	16,0	39,6	11,0 - 21,0	61,0
5550 6134	M40 x 1,5	45	9,0	17,5	49,5	19,0 - 28,0	68,5
5550 6153	M50 x 1,5	54	10,0	18,0	59,0	27,0 - 35,0	74,0
5550 6154	M63 x 1,5	67	15,0	20,0	73,5	34,0 - 45,0	83,0