


5550 3537	<b>DATA SHEET</b>	
Valid from: 09.07.2018	<b>SILVYN® HIPROJACKET AMG PG</b>	

The SILVYN® HIPROJACKET AMG PG is a PG gland made of nickel plated brass. The gland is suitable for SILVYN® HIPROJACKET and can be used in glass factories, metal foundries and the ceramic industry.



**Material:**

Body	Brass, nickel plated
Sleeve	Brass, nickel plated
Nut	Brass, nickel plated
Clamping ring	Brass, nickel plated
Tulle	Polyamide 6
O-Ring	NBR

**Technical Features:**

Connecting thread	PG 9 up to PG 48 acc. to DIN 40430
Nominal width	NW 5/16" up to NW 2"
Protection class	IP67 acc. to EN 60529
Temperature range	Depending on the used conduit -45°C up to +105°C



**Approvals:**

**Reference standards:**

IEC 61386-1

**Suitable conduits:**

SILVYN® HIPROJACKET

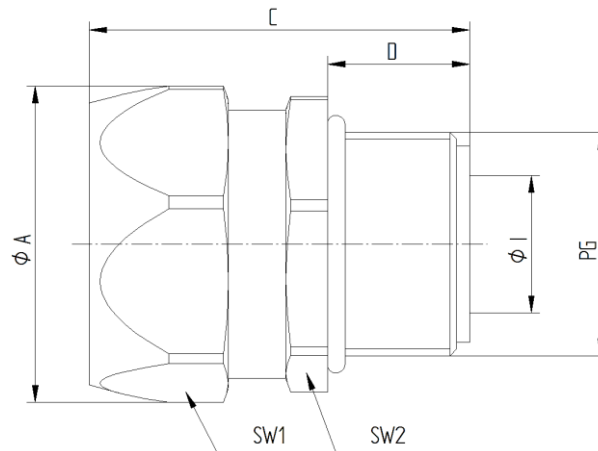
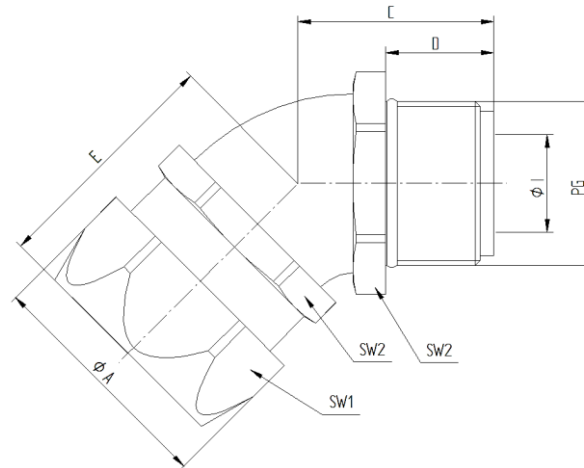
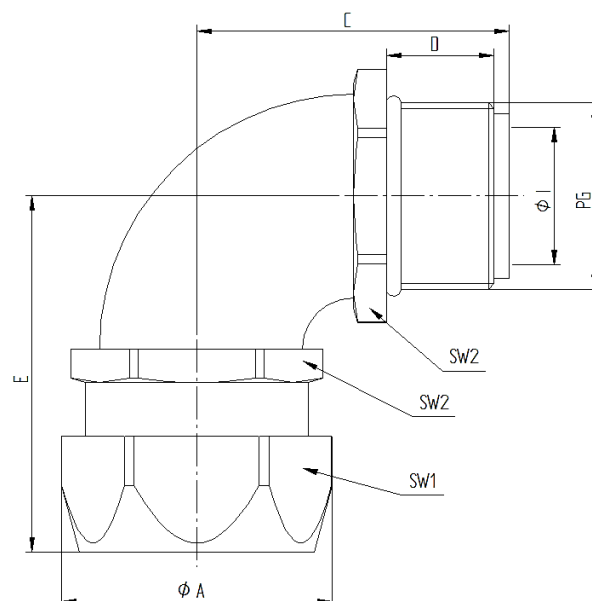
**Suitable accessories:**


SILVYN® HIPROSILTAPE

For more information please see our current catalogue. Please do not hesitate to contact our laboratory if there are any questions regarding resistance against aggressive agents and special oil.

Creator: MAU1/PDP Released: DAMU1/PDP	Document: DB55503537EN Version: 01	Page 1 of 3
--	---------------------------------------	-------------

## Product drawing:

**SILVYN HIPOJACKET AMG PG****SILVYN HIPOJACKET AMG 45° PG****SILVYN HIPOJACKET AMG 90° PG**

5550 3537	<b>DATA SHEET</b>	
Valid from: 09.07.2018	<b>SILVYN® HIPROJACKET AMG PG</b>	

**Dimension table:**

Part No.	Nominal width NW	Thread PG	Thread length mm D	Length mm		Diameter mm		Wrench size		weight Kg/100
				C	E	Ø I	Ø A	SW 1	SW 2	
<b>SILVYN® HIPROJACKET AMG PG</b>										
5550 3537	5/16"	PG 9	12,0	35,0	-	8,3	29,0	26	24	4,8
5550 3538	5/16"	PG 11	12,0	35,0	-	8,3	29,0	26	24	5,6
5550 3539	3/8"	PG 13,5	12,0	35,0	-	10,2	29,0	26	24	5,6
5550 3540	1/2"	PG 16	13,0	37,0	-	13,9	32,7	29	27	6,3
5550 3541	3/4"	PG 21	15,0	40,0	-	18,5	38,7	35	33	8,4
5550 3542	1"	PG 29	15,0	46,0	-	23,8	50,0	45	43	25,0
5550 3543	1 1/4"	PG 36	16,0	52,0	-	31,8	60,0	54	52	34,6
5550 3544	1 1/2"	PG 42	18,0	56,0	-	36,8	69,2	63	60	47,2
5550 3499	2"	PG 48	20,0	66,0	-	47,8	85,0	77	74	72,0
<b>SILVYN® HIPROJACKET AMG 45° PG</b>										
5550 3500	5/16"	PG 11	12,0	23,0	33,0	8,3	29,0	26	22	8,1
5550 3501	3/8"	PG 13,5	12,0	23,0	33,0	10,2	29,0	26	22	8,1
5550 3502	1/2"	PG 16	13,0	25,0	33,0	13,9	32,7	29	27	11,6
5550 3503	3/4"	PG 21	15,0	30,0	36,0	18,5	38,7	35	33	15,3
5550 3504	1"	PG 29	15,0	34,0	46,0	23,8	50,0	45	42	31,5
5550 3505	1 1/4"	PG 36	16,0	39,0	54,0	31,8	60,0	54	51	53,2
5550 3506	1 1/2"	PG 42	18,0	45,0	59,0	36,8	69,2	63	60	78,5
5550 3507	2"	PG 48	20,0	53,0	71,0	47,8	85,0	77	74	132,0
<b>SILVYN® HIPROJACKET AMG 90° PG</b>										
5550 3508	5/16"	PG 11	12,0	32,0	42,0	8,3	29,0	26	22	8,9
5550 3509	3/8"	PG 13,5	12,0	32,0	42,0	10,2	29,0	26	22	8,9
5550 3510	1/2"	PG 16	13,0	36,0	43,0	13,9	32,7	29	27	15,3
5550 3511	3/4"	PG 21	15,0	43,0	48,0	18,5	38,7	35	33	21,6
5550 3512	1"	PG 29	15,0	48,0	59,0	23,8	50,0	45	42	35,3
5550 3513	1 1/4"	PG 36	16,0	57,0	68,0	31,8	60,0	54	51	62,5
5550 3514	1 1/2"	PG 42	18,0	63,0	78,0	36,8	69,2	63	60	88,1
5550 3515	2"	PG 48	20,0	74,0	96,0	47,8	85,0	77	74	141,9