


5550 1850	DATA SHEET	
Valid from: 24.04.2018	SILVYN® SSVZ-M	

By the SILVYN® SSVZ-M bargain it a conduit clamp gland which is made of nickel plated brass, with cable strain relief and cable sealing. By the special bosh lugs is a simply assembling and strain relief of the conduit warranted.
For a additional protection the conduit can combined with a clamp SILVYN® SCH. The cable gets clamped by the incised sealing ring.



Material:

Body	Brass, nickel plated
Special rips	Brass, nickel plated
Flat washer	Steel, nickel plated
Incised Sealing Ring	CR
O-Ring	NBR

Technical Features:

Connecting thread	M16x1,5 up to M63x1,5 acc. to EN 60423
Conduit wide	10x14 mm up to 50x56 mm
Protection class	IP54 up to IP68 acc. to EN 60529
Temperature range	Depending on the used conduit -20°C up to +80°C

Reference standards:




EN 61386-1

Suitable conduits:

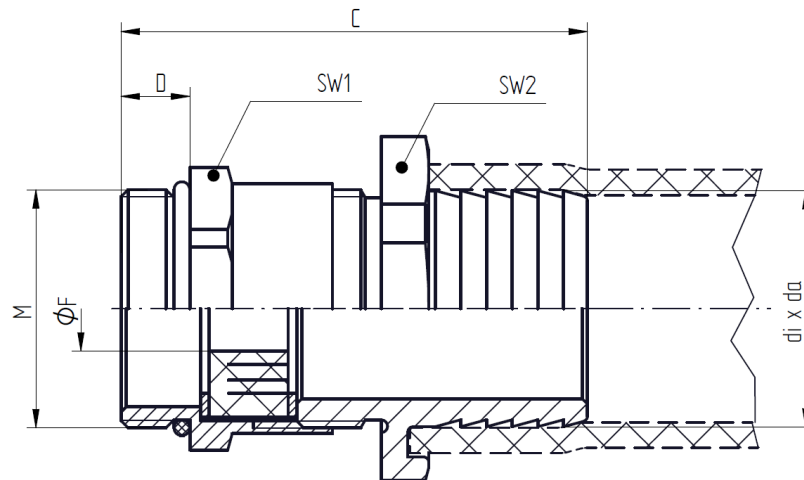
SILVYN® SI
SILVYN® SP
SILVYN® SP-PU

For more information please see our current catalogue. Please do not hesitate to contact our laboratory if there are any questions regarding resistance against aggressive agents and special oil.

Creator: MAU1/PDP Released: DAMU1/PDP	Document: DB55501850EN Version: 03	Page 1 of 2
--	---------------------------------------	-------------

5550 1850	DATA SHEET	
Valid from: 24.04.2018	SILVYN® SSVZ-M	

Product drawing:



Dimension table:

Part No.	di x da	Thread M	D mm	C mm	ØF mm	ØA mm	SW1	SW 2
5550 1850	10 x 14	M16x1,5	5,0	39,0	5 / 8	20,0	18	19
5550 1860	12 x 16	M16x1,5	5,0	39,0	5 / 8	22,2	18	19
5550 1870	14 x 18	M20x1,5	6,0	39,6	7 / 10 / 12,5	24,0	22	22
5550 1880	16 x 20	M20x1,5	6,0	39,6	7 / 10 / 12,5	24,0	22	22
5550 1890	18 x 23	M20x1,5	6,0	43,0	7 / 10,5 / 13 / 16	24,0	22	25
5550 1900	22 x 27	M20x1,5	6,0	44,0	8 / 10,5 / 13,5 / 16	26,2	24	30
5550 1910	23 x 28	M25x1,5	7,0	48,0	11 / 15 / 18 / 20	33,0	30	32
5550 1920	30 x 36	M32x1,5	8,0	53,6	18 / 23 / 27 / 31	42,5	40	40
5550 1930	32 x 38	M32x1,5	8,0	53,6	18 / 23 / 27 / 31	42,5	40	40
5550 1940	38 x 44	M40x1,5	8,0	61,6	24 / 28 / 31 / 35	54,0	50	52
5550 1950	45 x 51	M50x1,5	9,0	68,6	30 / 35,5 / 39 / 42,5	60,0	57	57
5550 1960	50 x 56	M63x1,5	10,0	71,6	36 / 40 / 44 / 47 / 50,5	70,0	66	66