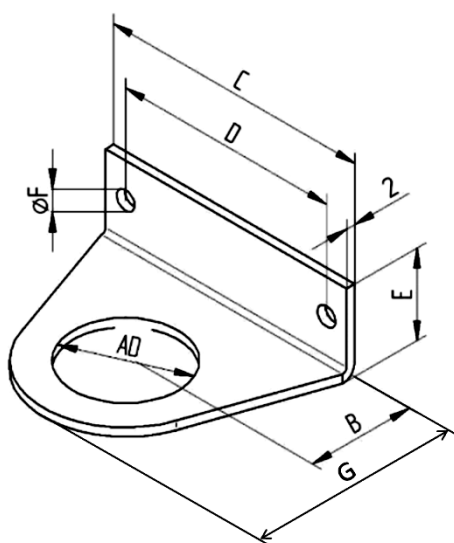


55000531	DATA SHEET	
Valid from: 03.07.2018	SILVYN® BW-M / BW	

SILVYN® BW-M / BW is a steel fixing bracket with through bore for metric threads and PG-threads with two bore holes for fixing screws. The bracket can be used in areas where SILVYN® protection conduits cannot be inserted into a machine or an appliance.

- Material:** Steel, passivated
- Features:** High mechanical properties
Corrosion resistant
- Temperature range:** -40°C up to +200°C



Dimension table:

Part No.	Description	Diameter AD mm	Wide C mm	Length E mm	High G mm	High B mm	Diameter F mm	Wide D mm
SILVYN® BW-M								
5500 0531	SILVYN® BW-M 16	17,0	50,0	20,0	38,0	22,0	4,5	40,0
5500 0541	SILVYN® BW-M 20	21,0	50,0	20,0	38,0	22,0	4,5	40,0
5500 0551	SILVYN® BW-M 25	26,0	60,0	20,0	46,9	27,0	4,5	50,0
5500 0561	SILVYN® BW-M 32	33,0	70,0	20,0	56,9	32,0	4,5	60,0
5500 0571	SILVYN® BW-M 40	41,0	80,0	20,0	67,0	37,0	4,5	70,0
5500 0572	SILVYN® BW-M 50	51,0	90,0	20,0	78,4	40,0	4,5	80,0
SILVYN® BW								
5500 0540	SILVYN® BW 16	23,0	50,0	20,0	38,0	22,0	4,5	40,0
5500 0550	SILVYN® BW 21	29,0	60,0	20,0	46,9	27,0	4,5	50,0
5500 0560	SILVYN® BW 29	37,5	70,0	20,0	56,9	32,0	4,5	60,0
5500 0570	SILVYN® BW 36	47,5	80,0	20,0	67,0	37,0	4,5	70,0

For more information please see our current catalogue. Please do not hesitate to contact our laboratory if there are any questions regarding resistance against aggressive agents and special oil.

Creator: M. Wegerer /PDP Released: DAMU1/PDP	Document: DB55000531EN Version: 01	Page 1 of 1
---	---------------------------------------	-------------