


53119375	DATA SHEET	
Valid from: 28.09.2020	SKINTOP® FLAT	

The SKINTOP® FLAT is a nickel-plated brass cable gland with sealing insert for flat cable. With this patented sealing insert you can reach even pressure distribution on the flat cable and thereby high IP protection and strain relief. SKINTOP® FLAT is suitable for both angular and round cable contours. Suitable flat cables ÖLFLEX® LIFT F or ÖLFLEX® CRANE F.



Screw connection Materials:

Gland body	Brass, nickel plated
Cap nut	Brass, nickel plated
Insert with lamellar cage	Polyamide, halogen free
Seal insert for the lamellar cage	NBR
O-Ring	NBR

Technical characteristics:

Connecting thread	M25x1.5 up to M63x1.5 acc. to EN 60423
Protection class	IP 68 - 5 bar acc. to EN 60529
Strain relief	Exceed the specification acc. to DIN EN 62444
Temperature range	-20°C up to +100°C


Features:

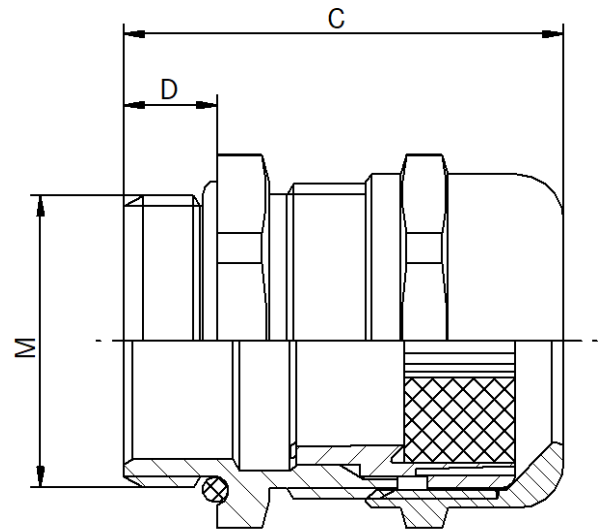
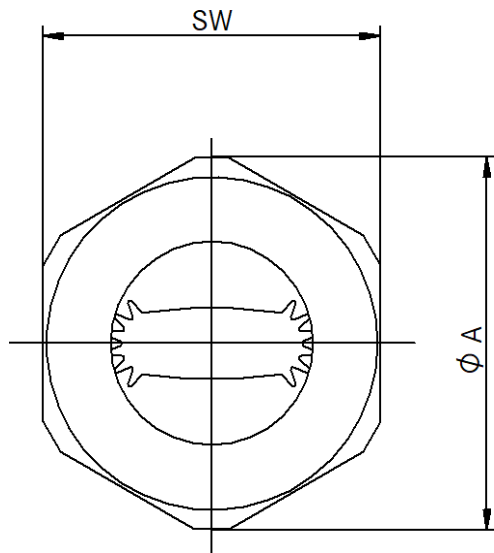
- For high mechanical stress
- High strain relief
- Wide variable clamping ranges
- Suitable for both angular and round cable contours
- Even pressure distribution on the flat cable
- Halogen-free

Norm Reference:



Creator: VACH1 /PDP Released: DAMU1/PDP	Document: DB53119375EN Version: 01	Page 1 of 2
--	---------------------------------------	-------------

53119375	DATA SHEET	
Valid from: 28.09.2020	SKINTOP® FLAT	



SKINTOP® FLAT

Thread	SW	Ø A	C	D	Cable width min. / max. mm	Cable thickness min. / max. mm	O-Ring	Article number
M25x1,5	29	31,9	38,5	8	11,0 - 16,0	3,0 - 6,0	22x2	53119375
M32x1,5	36	39,6	45,5	9	15,0 - 20,0	3,0 - 7,0	28x2	53119376
M40x1,5	45	49,5	48	9	18,0 - 28,0	3,0 - 9,0	36x2	53119377
M50x1,5	54	59	55,5	10	26,0 - 33,0	5,0 - 11,0	46x2	53119378
M63x1,5	67	73,5	67	15	34,0 - 42,0	7,0 - 13,0	57x2	53119391

For more information please see our current catalogue. Please do not hesitate to contact our laboratory if there are any questions regarding resistance against aggressive agents and special oil.

Creator: VACH1 /PDP Released: DAMU1/PDP	Document: DB53119375EN Version: 01	Page 2 of 2
--	---------------------------------------	-------------