


53112005	DATA SHEET	
Valid from: 02.12.2021	SKINTOP® MS-M-XL / MSR-M-XL	

The SKINTOP® MS-M-XL / MSR-M-XL are a nickel-plated brass cable gland with long metric connecting thread which combines high quality with regard to consistency and reliability. This gland is especially designed for use in manufacturing of machines and equipment, in measuring, controlling as well as in the pharmaceutical industry and for medical equipment.



Components:

Gland body	Brass, nickel-plated
Cap nut	Brass, nickel-plated
Insert with lamellar cage	Polyamide
Sealing ring	CR
O-ring	NBR

Technical features:

Connecting thread	M12x1,5 up to M50x1,5 acc. to DIN EN 60423
Protection class / NEMA Type Rating	IP 68 - 10 bar / 30 min acc. to DIN EN 60529 IP 69 acc. to DIN EN 60529 Type 1, Type 4X, Type 6 and Type 12 acc. to UL 50 E, CSA C22.2 No. 94.2-15
Strain relief	Category A acc. to DIN EN 62444
Temperature range	Dynamic -25 °C up to +100 °C Statically -40 °C up to +100 °C
Design	MS-M standard MSR-M with reducing sealing ring (for smaller cable diameters)
Corrosion protection	Salt spray test (168 H. / 35°C) acc. to DIN EN ISO 9227

Approvals:




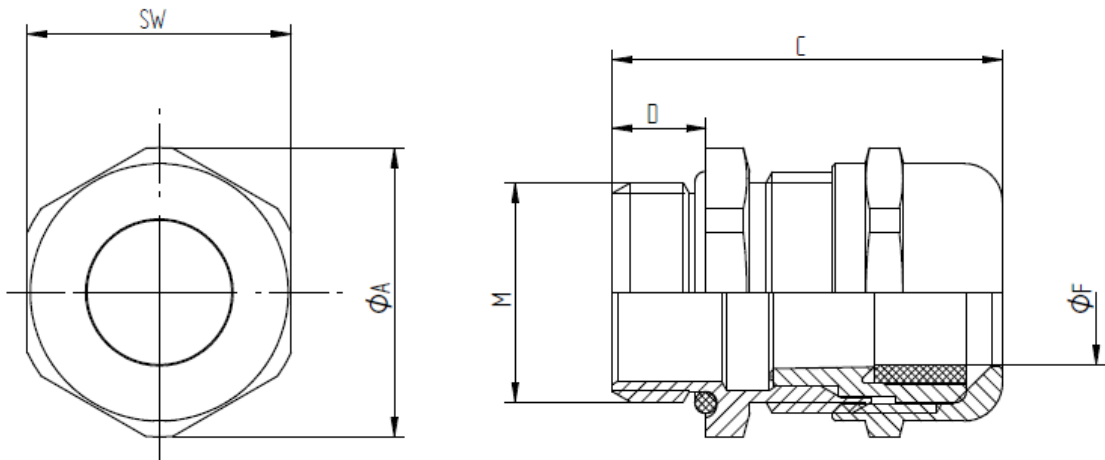
UL File Nr. 79903
(Test in acc. to UL514B)

Norm references:



Creator: MAAU1 /PDP Released: DAMU1/PDP	Document: DB53112005EN Version: 10	Page 1 of 2
--	---------------------------------------	-------------

53112005	DATA SHEET	
Valid from: 02.12.2021	SKINTOP® MS-M-XL / MSR-M-XL	



SKINTOP® MS-M-XL

M	SW [mm]	Ø A [mm]	C max. [mm]	D [mm]	Ø F [mm] Clamping range	O-ring [mm]	Article No.
M12x1,5	16	17,6	32,0	12	3,5 - 7	9x2	53112005
M16x1,5	20	22,0	38,0	12	4,5 - 10	13x2	53112015
M20x1,5	24	26,4	41,0	12	7 - 13	17x2	53112025
M25x1,5	29	31,9	42,5	12	9 - 17	22x2	53112035
M32x1,5	36	39,6	51,5	15	11 - 21	28x2	53112045
M40x1,5	45	49,5	54,5	15	19 - 28	36x2	53112055
M50x1,5	54	59,0	60,5	15	27 - 35	46x2	53112065

SKINTOP® MSR-M-XL

M	SW [mm]	Ø A [mm]	C max. [mm]	D [mm]	Ø F [mm] Clamping range	O-ring [mm]	Article No.
M12x1,5	16	17,6	32,0	12	2 - 5	9x2	53112105
M16x1,5	20	22,0	38,0	12	2 - 7	13x2	53112115
M20x1,5	24	26,4	41,0	12	5 - 10	17x2	53112125
M25x1,5	29	31,9	42,5	12	6 - 13	22x2	53112135
M32x1,5	36	39,6	51,5	15	7 - 15	28x2	53112145
M40x1,5	45	49,5	54,5	15	15 - 23	36x2	53112155
M50x1,5	54	59,0	60,5	15	22 - 29	46x2	53112165

For more information please see our current catalogue. Please do not hesitate to contact our laboratory if there are any questions regarding resistance against aggressive agents and special oil.

Creator: MAU1 /PDP Released: DAMU1/PDP	Document: DB53112005EN Version: 10	Page 2 of 2
---	---------------------------------------	-------------