


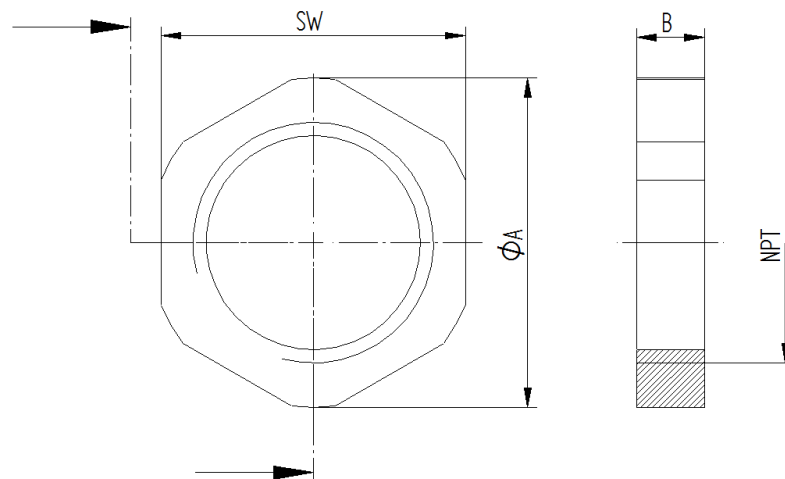
53019300	<b>DATA SHEET</b>	
Valid from: 15.04.2020	<b>SKINTOP® GMP-GL NPT</b>	

The SKINTOP® GMP-GL NPT is a hexagonal locknut of glass fibre reinforced polyamide. The locknut is used where cable glands are attached but there is only a pass-through hole.



**Technical features:**

Material	Polyamide, glass fibre reinforced
Sizes	3/8" up to 1" NPT
Temperature range	Dynamic -20 °C up to +100 °C Statically -40 °C up to +100 °C
Colour	RAL 7035 light grey RAL 9005 black, UV-resistant



NPT	SW [mm]	Ø A [mm]	B [mm]	Part No. RAL 9005	Part No. RAL 7035
3/8"	22	24,2	5,0	5301 9305	5301 9300
1/2"	27	29,2	6,0	5301 9315	5301 9310
3/4"	36	39,2	6,5	5301 9325	5301 9320
1"	41	45,2	7,5	5301 9335	5301 9330

For more information please see our current catalogue. Please do not hesitate to contact our laboratory if there are any questions regarding resistance against aggressive agents and special oil.

Creator: MAU1 /PDP Released: DAMU1/PDP	Document: DB53019300EN Version: 03	Page 1 of 1
---	---------------------------------------	-------------