


52109013	DATA SHEET	
Valid from: 03.07.2018	SKINTOP® CLICK BLK	

The SKINTOP® CLICK BLK is a blind plug for fast installation wherever a panel cut-out must be closed. The snap-system enables a very fast and easy assembly.
The blind plug is suitable for use in manufacturing of machines and equipment, in measuring, controlling and automation, in electronic technology, switch cabinet technology.



Components:

Body	Polyamide, V-2 acc. to UL 94
Pressure nut	Polyamide, glass fibre reinforced, V-2 acc. to UL 94
Flat sealing ring	Elastomer

Technical features:

Sizes	Ø16, Ø20, Ø25
Functional thread	Metric thread
Protection class	IP 68 - 5bar, test acc. to EN 60529
Temperature range	-20 °C up to +100 °C
Colour	RAL 7035 light-grey RAL 7001 silver-grey RAL 9005 black, UV-resistant acc. to ISO 4892-2:2006, method A

Approvals:

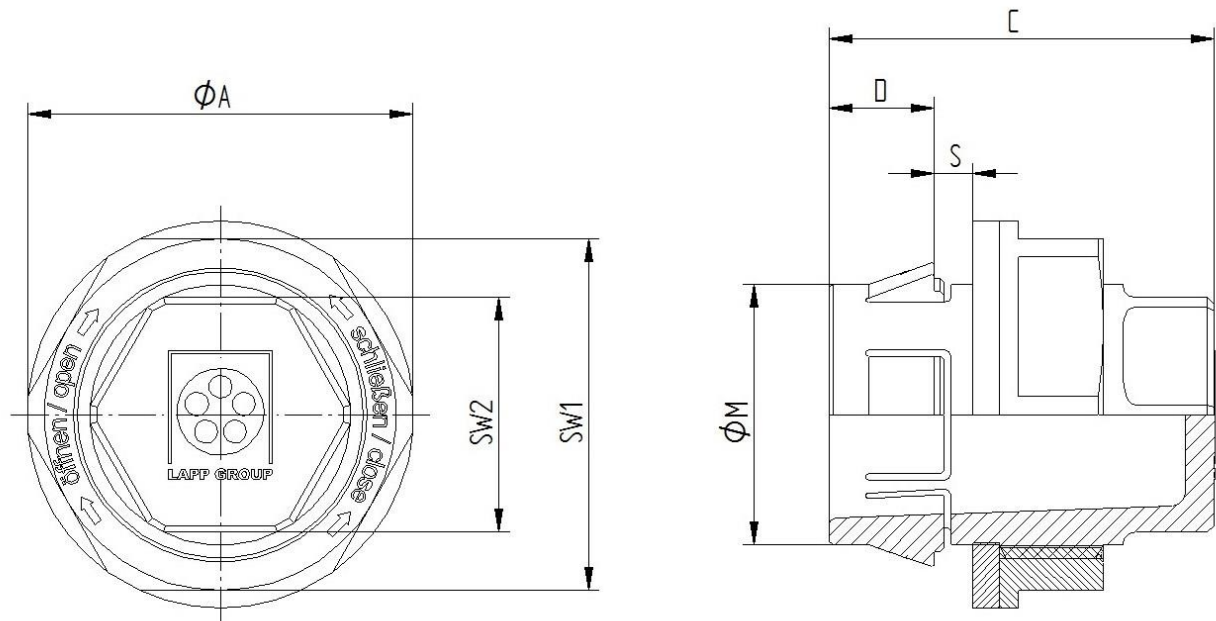


Norm references:



Creator: M. Jurak /PDP Released: DAMU1/PDP	Document: DB52109013EN Version: 04	Page 1 of 2
---	---------------------------------------	-------------

52109013	DATA SHEET	
Valid from: 03.07.2018	SKINTOP® CLICK BLK	



$\varnothing M$ [mm]	SW1 [mm]	SW2 [mm]	$\varnothing A$ [mm]	C [mm]	D [mm]	S [mm]	Article No. RAL 7035	Article No. RAL 7001	Article No. RAL 9005
16 _(-0,2)	22	14	24,2	28,5	8	1 - 4	52109013	52109016	52109019
20 _(-0,2)	27	18	29,7	29,5	8	1 - 4	52109014	52109017	52109020
25 _(-0,2)	32	22	35,2	30,5	8	1 - 4	52109015	-	52109021

For more information please see our current catalogue. Please do not hesitate to contact our laboratory if there are any questions regarding resistance against aggressive agents and special oil.

Creator: M. Jurak /PDP Released: DAMU1/PDP	Document: DB52109013EN Version: 04	Page 2 of 2
---	---------------------------------------	-------------