

52108000	DATA SHEET	
Valid from: 03.07.2018	SKINDICHT® SE-M	

The SKINDICHT® SE-M flange angular cable gland is characterised by design, exceptionally low overall height and stability. It can be securely and shortly installed with only two or four fixing holes. The recessed Perbunan® O-ring guarantees a strong seal between the housing and the gland. The die cast zinc material is resistant against tropical conditions and corrosion, even in combination with grey cast iron or steel.

The SKINDICHT® SE-M can be combined with all special cable glands in our range such as sealing-, strain relieve-, bending protection-, conduit connection- or earthing glands. The protection class depends on the special glands which are combined, but the standard version is at least IP55.



Components:

Angular housing	Zinc die-casting, grey, hammer-tone enamelled
Pressure screw	Brass, nickel plated
Pressure washer	Steel, zinc-plated
Incised sealing ring	CR/NBR
Sleeve	PE
O-Ring	NBR

Technical Features:

Connecting thread	M20x1.5; M25x1.5; M32x1.5 acc. to EN 60423
Temperature range	-20 °C up to +80 °C
Protection class	IP55 acc. to EN 60529
Surface	structured finish, colour RAL 7001

Norm references:

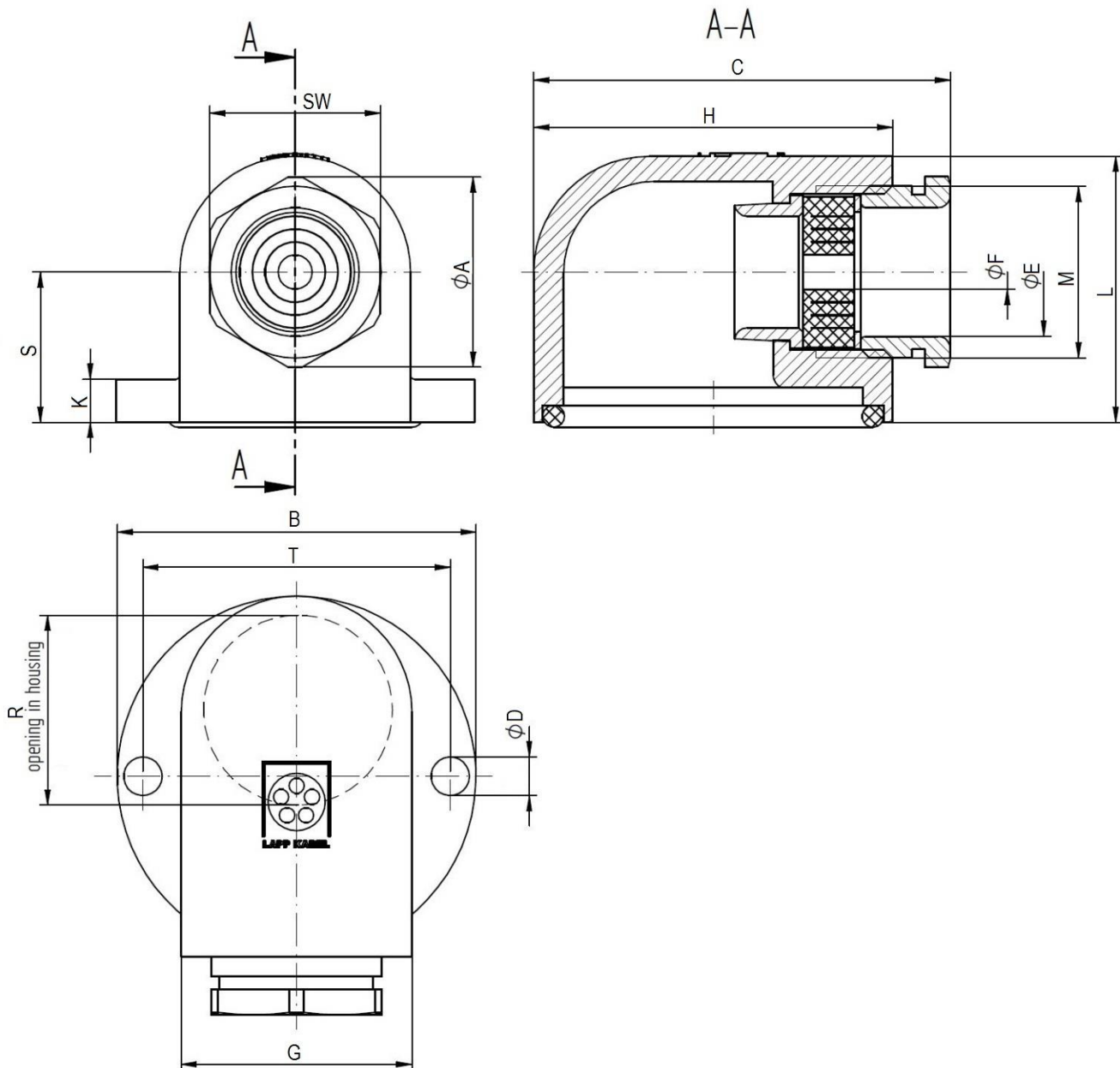


Creator: V.Charcenko /PDP Released: DAMU1/PDP	Document: DB52108000EN Version: 02	Page 1 of 3
--	---------------------------------------	-------------

52108000	DATA SHEET	
Valid from: 03.07.2018	SKINDICHT® SE-M	

SKINDICHT® SE-M M20x1.5

SKINDICHT® SE-M M25x1.5

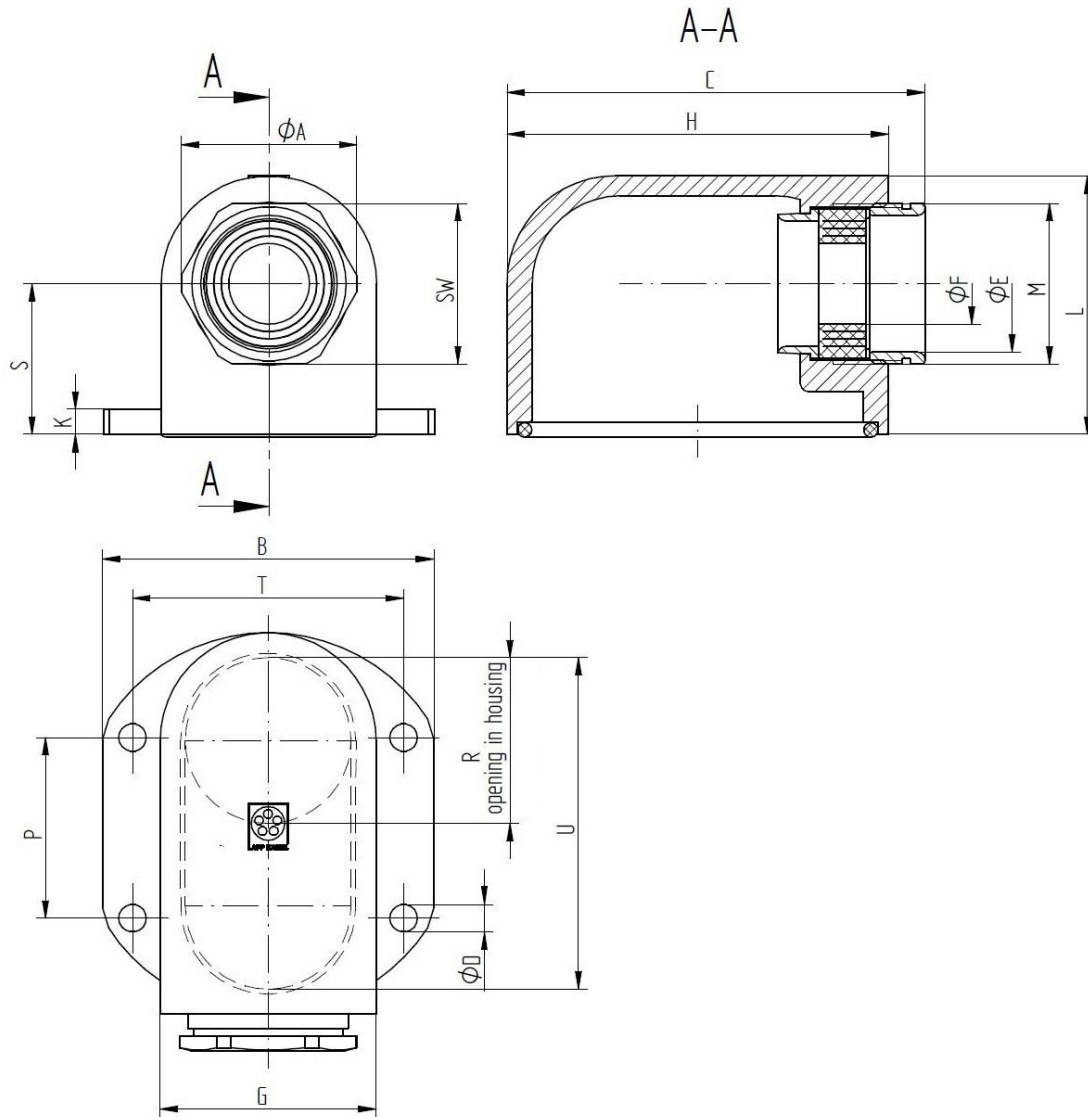


M	SW	ØA	B	C	ØD	ØE	ØF	G	H	K	L	R	S	T	Article No.
M20x1,5	20	22,2	42	49,2	4,5	15	4 / 7 / 10 / 13	27	42	5	31	21	17,5	36	52108000
M25x1,5	25	27,5	60	68,2	5,2	20	8,5 / 11,5 / 14,5 / 17,5	35	60	7	40	27	22,5	52,5	52108010

Creator: V.Charcenko /PDP Released: DAMU1/PDP	Document: DB52108000EN Version: 02	Page 2 of 3
--	---------------------------------------	-------------

52108000	DATA SHEET	
Valid from: 03.07.2018	SKINDICHT® SE-M	

SKINDICHT® SE-M M32x1.5



M	SW	ØA	B	C	ØD	ØE	ØF	G	H	K	L	P	R	S	T	U	Article No.
M32x1,5	32	35,2	66	84,2	5,5	27,2	16 / 19 / 22 / 25	43	76	5	51,5	36	33	30	54	66	52108020

Dimension units: **mm**

For more information please see our current catalogue. Please do not hesitate to contact our laboratory if there are any questions regarding resistance against aggressive agents and special oil.

Creator: V.Charcenko /PDP Released: DAMU1/PDP	Document: DB52108000EN Version: 02	Page 3 of 3
--	---------------------------------------	-------------