


| | | |
|---------------------------|----------------------------------|---|
| 52103405 | DATA SHEET |  |
| Valid from: 10.06.2022 | SKINDICHT® BL-M hexagonal | |

The SKINDICHT® BL-M hexagonal brass blind plugs with metric thread for ensuring the unused threaded holes are closed and sealed, incl. O-Ring.



Components:

| | |
|--------|--|
| Body | Brass, nickel-plated Brass lead free, nickel-plated |
| O-Ring | NBR (On request VITON® O-Ring) |

Technical features:


| | |
|-------------------|--|
| Connecting thread | M12x1,5 up to M63x1,5 acc. to EN 60423 |
| Protection class | IP68 - 5bar, test acc. to EN 60529 |
| Temperature range | -30 °C up to +100 °C |

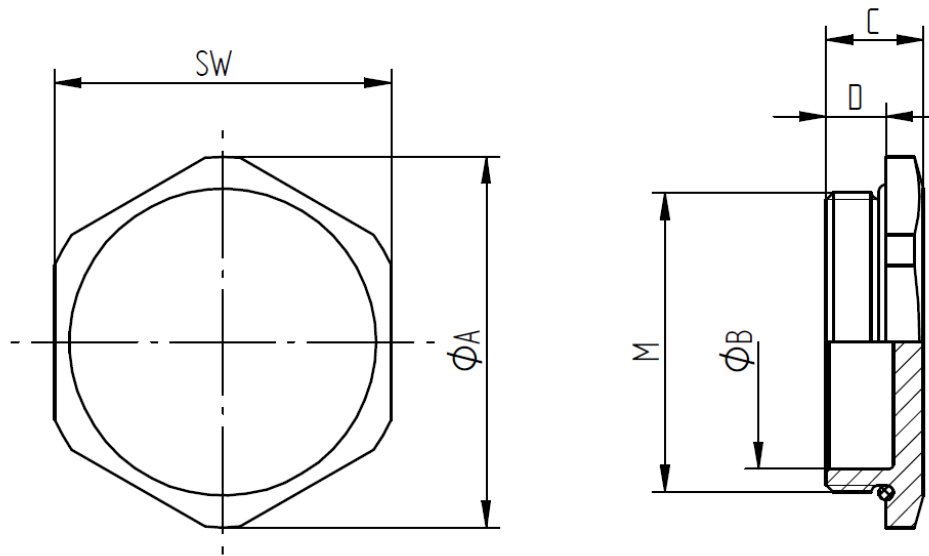
Norm references:



VITON® is a registered trademark of DuPont de Nemours.

| | | |
|--|---------------------------------------|-------------|
| Creator: T. Dvoulety /PDP Released: DAMU1/PDP | Document: DB52103405EN Version: 03 | Page 1 of 2 |
|--|---------------------------------------|-------------|

| | | |
|---------------------------|----------------------------------|---|
| 52103405 | DATA SHEET |  |
| Valid from: 10.06.2022 | SKINDICHT® BL-M hexagonal | |



| Thread M | SW [mm] | Ø A [mm] | Ø B [mm] | C [mm] | D [mm] | Article No. | |
|----------|---------|----------|----------|--------|--------|-------------|-----------------|
| | | | | | | Brass | Brass lead free |
| M12x1,5 | 16 | 17,8 | 8,2 | 8 | 5 | 52103405 | 52103405LF |
| M16x1,5 | 20 | 22 | 12,1 | 8 | 5 | 52103415 | 52103415LF |
| M20x1,5 | 24 | 26,4 | 16 | 9,5 | 6 | 52103425 | 52103425LF |
| M25x1,5 | 29 | 31,9 | 20 | 11 | 7 | 52103435 | - |
| M32x1,5 | 36 | 39,6 | 26,2 | 12 | 8 | 52103445 | - |
| M40x1,5 | 45 | 49,5 | 33,8 | 13 | 8 | 52103455 | - |
| M50x1,5 | 54 | 59 | 42,2 | 15 | 9 | 52103465 | - |
| M63x1,5 | 67 | 73,5 | 55 | 16 | 10 | 52103475 | - |

For more information please see our current catalogue. Please do not hesitate to contact our laboratory if there are any questions regarding resistance against aggressive agents and special oil.

| | | |
|--|---------------------------------------|-------------|
| Creator: T. Dvoulety /PDP Released: DAMU1/PDP | Document: DB52103405EN Version: 03 | Page 2 of 2 |
|--|---------------------------------------|-------------|