

52103200	DATA SHEET	
Valid from: 03.07.2018	SKINDICHT® SM-PE	

The SKINDICHT® SM-PE is an earth-equipotential locknut from nickel-plated brass with PG-thread.

The SKINDICHT® SM-PE is required wherever varnished, anodized and powder coated housings are used. When the locknut is tightened, it punches an insulating layer guaranteeing optimum contact.

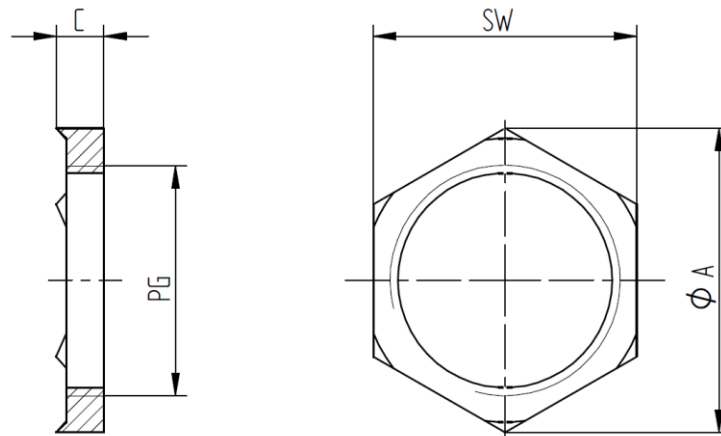


Technical features:

Material	Brass, nickel-plated
Thread	PG 7 up to PG 36 acc. to DIN 40430
Temperature range	-60°C up to +200°C



Norm references:



Thread PG	Wrench Size SW mm	Diameter Ø A mm	Thickness C mm	Article No.
PG 7	15	17,3	4,7	52103200
PG 9	18	20,8	4,7	52103210
PG 11	21	24,3	4,7	52103220
PG 13,5	23	26,6	4,7	52103230
PG 16	26	30,0	4,7	52103240
PG 21	32	37,0	5,2	52103250
PG 29	41	47,3	5,7	52103260
PG 36	51	58,9	6,5	52103270

For more information please see our current catalogue. Please do not hesitate to contact our laboratory if there are any questions regarding resistance against aggressive agents and special oil.

Creator: M. Wegerer /PDP Released: DAMU1/PDP	Document: DB52103200EN Version: 04	Page 1 of 1
---	---------------------------------------	-------------