

52100610	DATA SHEET	
Valid from: 22.10.2018	SKINDICHT® U-M	

The SKINDICHT® U-M is a pressure ring for use between a pressure screw and an adapter.

Material:

Steel, galvanized



Technical features:

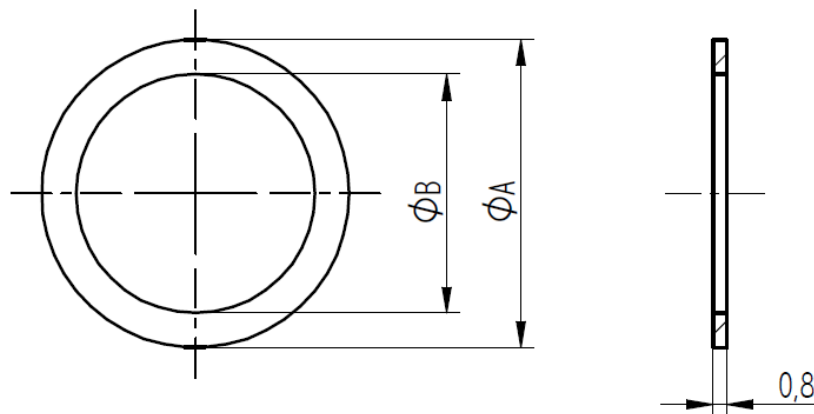
Sizes

M12 up to M63

Temperature range

-60°C up to +200°C

Product drawing:



Dimension table:

Part No.	Size	Inner Diameter ØB mm	Outer Diameter ØA mm	Thickness mm
5210 0610	U-M 12	7,0	10,2	0,8
5210 0611	U-M 16	11,0	14,0	0,8
5210 0612	U-M 20	15,0	18,0	0,8
5210 0613	U-M 25	19,0	23,0	0,8
5210 0614	U-M 32	26,0	30,0	0,8
5210 0615	U-M 40	34,0	38,0	0,8
5210 0616	U-M 50	43,0	48,0	0,8
5210 0617	U-M 63	52,0	61,0	0,8

For more information please see our current catalogue. Please do not hesitate to contact our laboratory if there are any questions regarding resistance against aggressive agents and special oil.

Creator: MAU1 Released: DAMU1	Document: DB52100610EN Version: 02	Page 1 of 1
----------------------------------	---------------------------------------	-------------