

52005540	DATA SHEET	
Valid from: 03.07.2018	SKINDICHT® SVRE	

The SKINDICHT® SVRE is a metal cable gland acc. to DIN 46320 for general use. The multi-size sealing ring can be individually adapted to various cable diameters by removing pre-cut rings.



Components:

Gland body	Brass, nickel-plated
Pressure screw	Brass, nickel-plated
Incised sealing ring	CR
Compression washers	Steel, zinc-plated

Technical features:

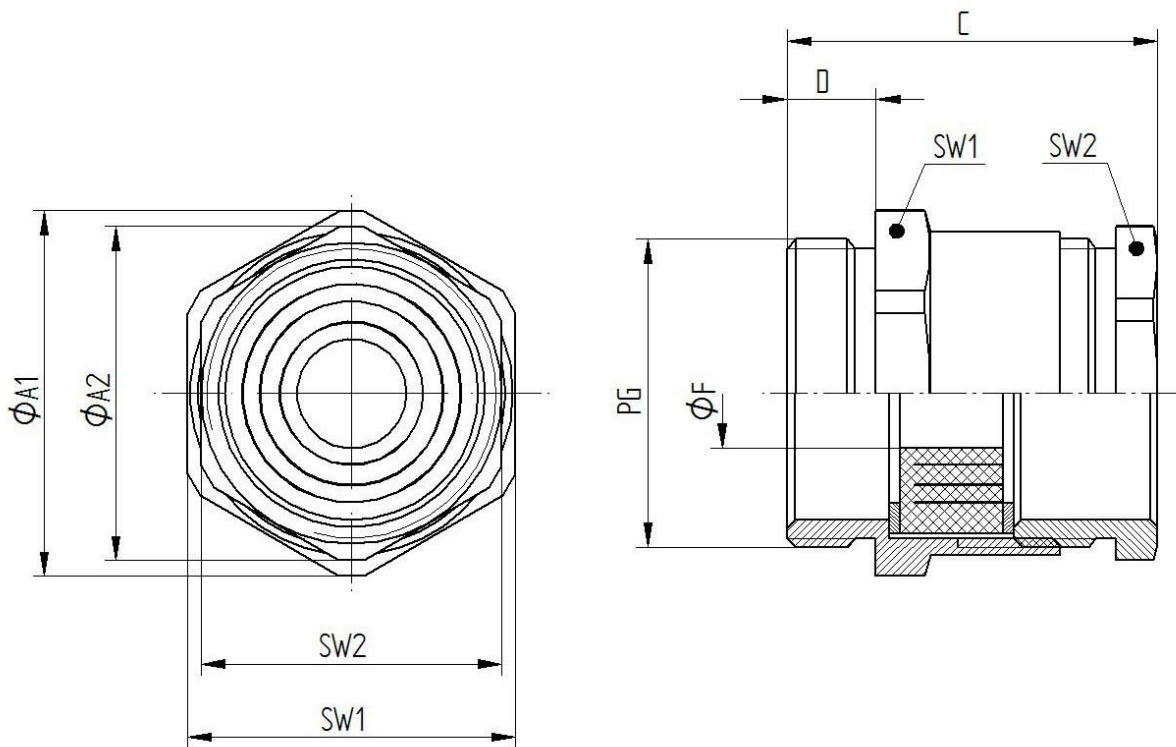
Connecting thread	PG9 up to PG48 acc. to DIN 40430
Protection class	IP54 acc. to EN 60529
Temperature range	-20 °C up to +80 °C

Norm references:



Creator: M. Jurak /PDP Released: DAMU1/PDP	Document: DB52005540EN Version: 03	Page 1 of 2
---	---------------------------------------	-------------

52005540	DATA SHEET	
Valid from: 03.07.2018	SKINDICHT® SVRE	



PG	SW1 [mm]	SW2 [mm]	ØA1 [mm]	ØA2 [mm]	C [mm]	D [mm]	ØF [mm] Incised sealing ring	Article No.
PG9	17	15	18,9	16,6	22,6	6	5 / 8	52005540
PG11	20	18	22,2	20	23,6	6	7 / 10 / 12,5	52000310
PG13,5	22	20	24,4	22,2	26,1	6,5	7 / 10,5 / 13 / 16	52000320
PG16	24	22	26,7	24,4	27,1	6,5	8 / 10,5 / 13,5 / 16	52000330
PG21	30	28	33,5	31,2	29,6	7	11 / 15 / 18 / 20	52000340
PG29	40	37	43,5	41	32,6	8	19 / 23 / 27 / 31	52000350
PG36	50	47	54	50,5	38,6	9	25 / 28 / 31 / 35	52000360
PG42	57	54	61	59	43,6	10	35,5 / 39 / 42,5 / 46	52005550
PG48	64	60	69	65	45,1	10	40,5 / 44 / 47 / 50,5	52005560

For more information please see our current catalogue. Please do not hesitate to contact our laboratory if there are any questions regarding resistance against aggressive agents and special oil.

Creator: M. Jurak /PDP Released: DAMU1/PDP	Document: DB52005540EN Version: 03	Page 2 of 2
---	---------------------------------------	-------------