

5200 3130	<b>DATA SHEET</b>	
Valid from: 08.05.2018	<b>SILVYN® SCH</b>	

The SILVYN® SCH is a multi-range hose clamp, with worm drive.  
The hose clamp is suitable for applications with higher mechanical stress.



**Material:**

Body	Stainless steel, blanc
Screw	Steel, zinc plated
Band	Stainless steel, blanc

**Technical Features:**

Screw	Worm drive with cross recess and width across flats 7
Clamping range	10 up to 60mm

**Additional features:**

Resistant to corrosion

**Reference standards:**

DIN 3017-1

**Suitable conduit gland:**

SILVYN® SSV  
SILVYN® SSV-M  
SILVYN® SSVZ  
SILVYN® SSVZ-M

**Suitable conduits:**

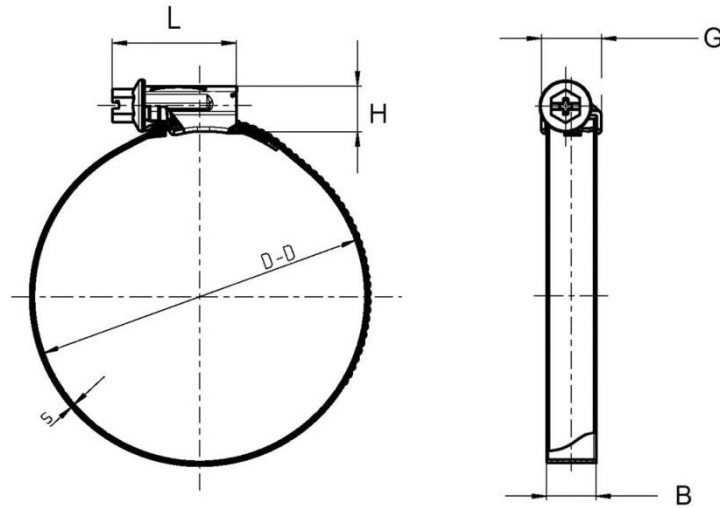
SILVYN® SI  
SILVYN® SP  
SILVYN® SP-PU

For more information please see our current catalogue. Please do not hesitate to contact our laboratory if there are any questions regarding resistance against aggressive agents and special oil.

Creator: MAU1/PDP Released: DAMU1/PDP	Document: DB52003130EN Version: 01	Page 1 of 2
--	---------------------------------------	-------------

5200 3130	<b>DATA SHEET</b>	
Valid from: 08.05.2018	<b>SILVYN® SCH</b>	

**Product drawing:**



**Dimension table:**

Part No.	Clamping range D-D mm	Belt thickness S mm	Belt range B mm	Body length L mm	Body high H mm	Body width G mm
5200 3130	10 - 16	0,6	7,5	17,0	9,0	11,5
5200 3140	12 - 20	0,65	9,0	24,0	11,0	13,0
5200 3160	16 - 25	0,65	9,0	24,0	11,0	13,0
5200 3170	20 - 32	0,65	9,0	24,0	11,0	13,0
5200 9050	25 - 40	0,65	9,0	26,0	11,0	13,0
5200 9061	35 - 50	0,8	12,0	30,0	11,0	14,6
5200 9040	40 - 60	0,8	12,0	30,0	11,0	14,6