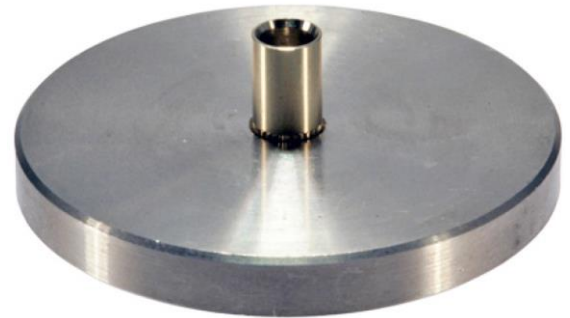


29500733	DATA SHEET
Valid from: 18.09.2019	POLISHING DISC PCF HFBR4521 CONNECTOR

Description

- Polishing disc for HFBR connector with polymer cladded fibre
- For finishing of contact end faces



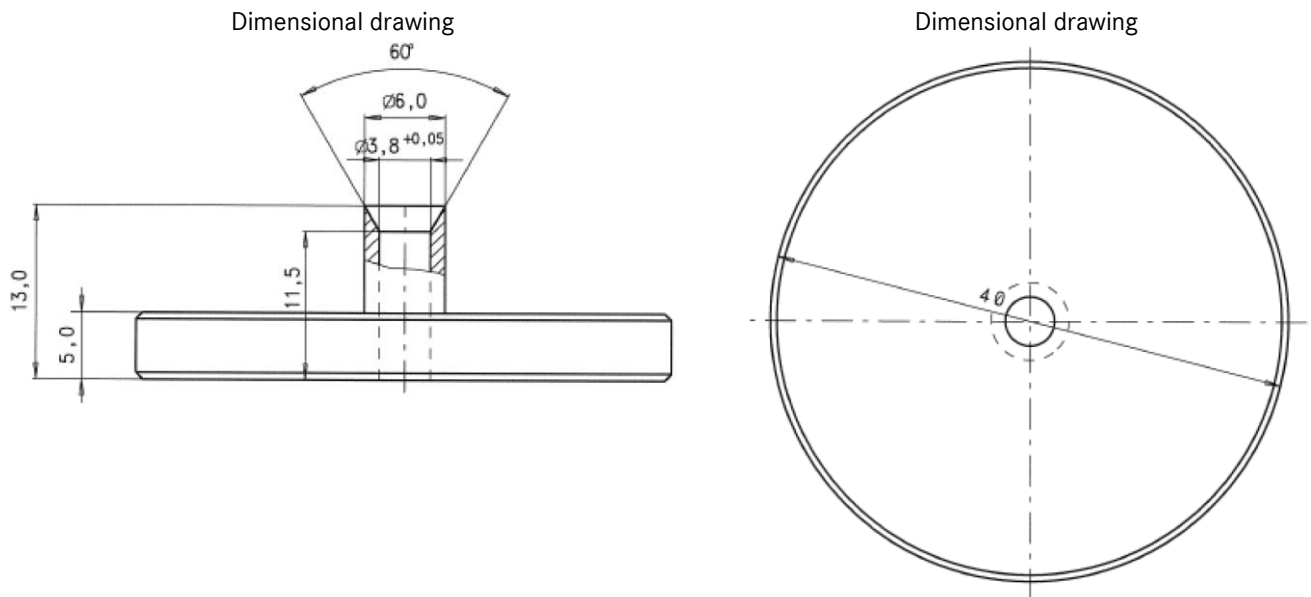
General characteristics

Suitable connector type HFBR-4501/ -4511/ -4521/-4531/ -4533

Mechanical properties

Material Stainless steel

Technical drawing



Application range

Optical networks, industry electronics, power electronics, consumer electronics

Note

Photographs are not true to scale and do not represent detailed images of the respective products.