

29500031	DATA SHEET
Valid from: 02.07.2018	Polishing Disc POF FSMA Connector

Description

- Polishing disc for F-SMA connector with polymer optical fiber
- For finishing of contact end faces



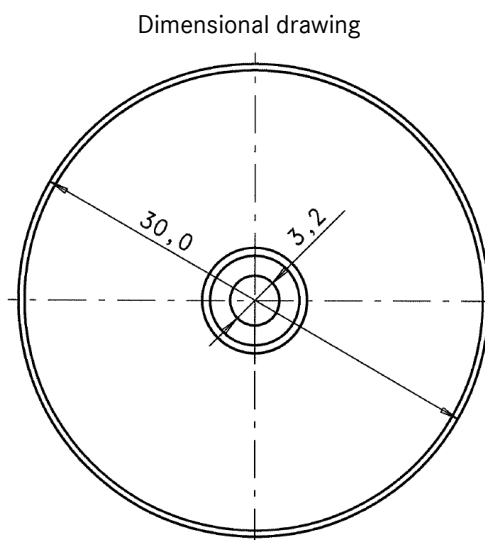
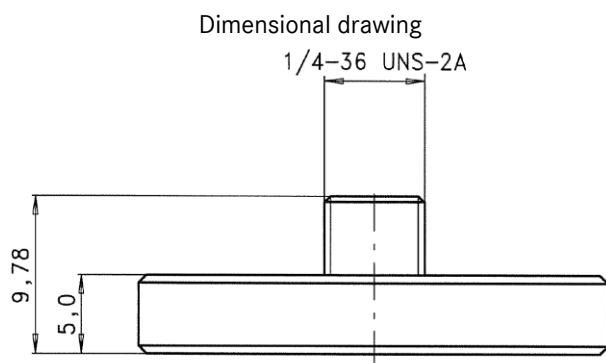
General characteristics

Suitable connector type (acc. IEC61754-22) F-SMA

Mechanical properties

Material Stainless steel

Technical drawing



Application range

Optical networks, industry electronics, power electronics, consumer electronics

Note

Photographs are not true to scale and do not represent detailed images of the respective products.