

29430089	DATA SHEET
Valid from: 30.11.2018	POF Adapter FSMA Hex /4PC

Description

- POF optical fibre coupling F-SMA
- Suitable for polymer optical fibres



General characteristics

Coupling, type	F-SMA
Degree of protection	IP 20
Temperature range	-40 to +85 °C (-40 to +185 °F) (operation) -55 to +100 °C (-67 to +212 °F) (storage)

Variation

Article	Description	Flange	Package size [pcs]
29430089	POF Adapter FSMA Hex /4PC	Yes (hexagonal)	4
29430099	POF Adapter FSMA /4PC	No	4

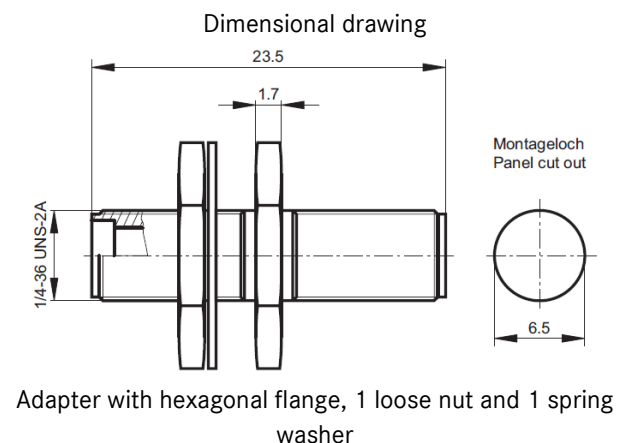
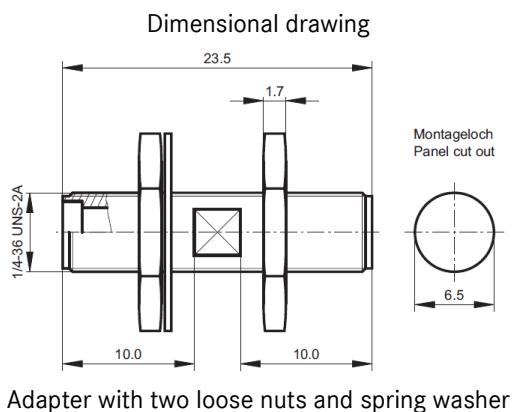
Optical properties

Insertion loss (IL)	≤ 1.0 dB
---------------------	----------

Mechanical properties

Housing, material	Nickel silver
Sleeve, material	Nickel silver
Spring washer, material	Brass nickel-plated
Screw nut, material	Brass nickel-plated
Dust protection, material	PVC
Mating cycles (min.)	500

Technical drawing



Standards / Approvals

Fibre optic connector interfaces – Type F-SMA	IEC 61754-22
---	--------------

Application range

Optical networks, industry electronics, power electronics, consumer electronics

Note

Photographs are not true to scale and do not represent detailed images of the respective products.