

29420099	DATA SHEET
Valid from: 30.11.2018	POF Adapter ST (BFOC) /4PC

Description

- POF optical fibre adapter ST (BFOC)
- Suitable for polymer optical fibres



General characteristics

Coupling, type	ST (BFOC)
Flange	Yes
Degree of protection	IP 20
Temperature range	-40 to +85 °C (-40 to +185 °F) (operation) -55 to +100 °C (-67 to +212 °F) (storage)

Variation

Article	Description	Package size [pcs]
29420099	POF Adapter ST (BFOC) /4PC	4

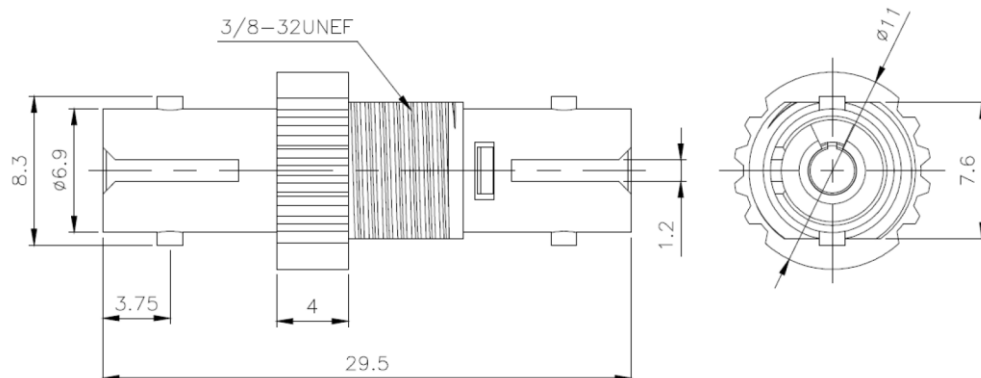
Optical properties

Insertion loss (IL)	≤ 0.2 dB
---------------------	----------

Mechanical properties

Housing, material	Zinc alloy
Sleeve, material	Ceramic
Spring washer, material	Steel
Screw nut, material	Brass
Dust protection, material	PVC
Mating cycles (min.)	500

Technical drawing



Standards / Approvals

Fibre optic connector interfaces – Type ST (BFOC)	IEC 61754-2
---	-------------

Application range

Optical networks, industry electronics, power electronics, consumer electronics

Note

Photographs are not true to scale and do not represent detailed images of the respective products.