


22262020	DATA SHEET	
Valid from: 12.09.2019	AB-C5-DSI-M12MS-M12FS-M16-SH	

Description

- Sensor/Actuator control cabinet feed through
- Plug on jack
- M12, 5 pins, A-coded, shielded
- Bipolar/screw mounting



General characteristics

Ambient Temperature (operation)	-25 to +85 °C (-13 to 185 °F)
Protection class	IP 67
Number of pins	5
Coding	A - standard
Status indicator	No

Mechanical characteristics

Contact, material	CuZn
Contact surface, material	Au
Contact carrier, material	PA 66
Knurl, material	Nickel plated brass
Seal, material	NBR


Electrical characteristics

Rated voltage	24 V
Rated current (at 40 °C)	4 A
Overvoltage category	II
Pollution degree	3
Contact resistance	≤ 3 mΩ
Insulation resistance	≥ 100 MΩ

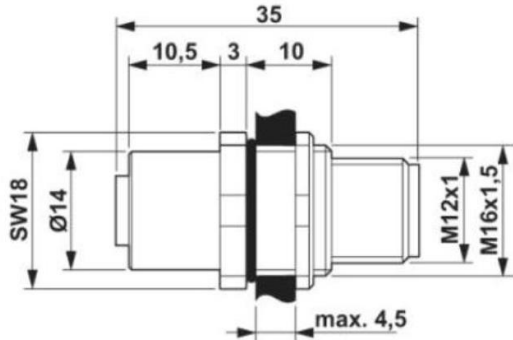
Standard

Product standard	M12-plug according to IEC 61076-2-101
------------------	---------------------------------------

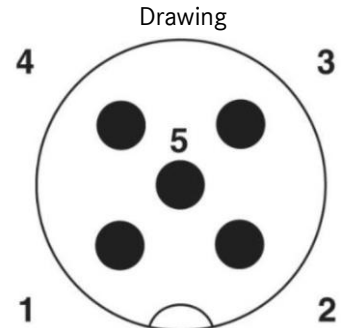
Creator: MOKO2/PDP Released: IVSE1/PDP	Document: DB22262020EN Version: 01	Page 1 of 2
---	---------------------------------------	-------------

22262020	DATA SHEET	
Valid from: 12.09.2019	AB-C5-DSI-M12MS-M12FS-M16-SH	

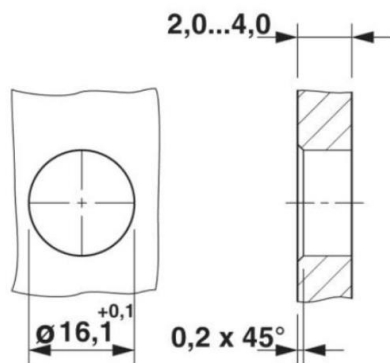
Technical Drawing



Cabinet feed-through, M12-plug on M12-jack

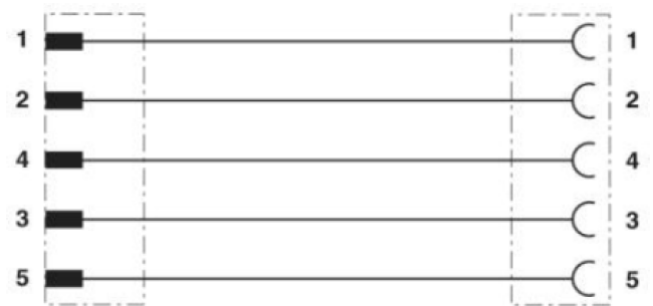


M12-plug, 5-pins, B-coded



Mounting cut-out

Circuit diagram



Contact assignment M12-plug and M12-jack

Application range

Automation, industrial machinery and plant engineering

Note

Photographs are not true to scale and do not represent detailed images of the respective products.

Creator: MOKO2/PDP Released: IVSE1/PDP	Document: DB22262020EN Version: 01	Page 2 of 2
---	---------------------------------------	-------------