


22262010	<b>DATA SHEET</b>	
Valid from: 12.09.2019	<b>AB-C4-M12MST-PG11</b>	

## Description

M12 Power connector, male, straight, 4-pos.,  
T-coded, screw connection, metal knurl,  
cable screw 8 - 10 mm



## Common values

Connector / Type	cable connector
M12 coding	T Power
Latching mechanism	Screwed
Cable outlet	8 - 10 mm
Wire gauge (mm)	0,75 - 1,50 mm <sup>2</sup>
Wire gauge (AWG)	18 - 16
Upper temperature	+ 85 °C
Lower temperature	- 40 °C
Material of contact	CuZn
Material of contact surface	Au
Material of contact body	PA
Material of housing	PA
Material of cable seal	NBR
Tightening torque	0,6 Nm (M12-knurl) 1 Nm ... 1,4 Nm (screw down nut with sleeve housing) 0,6 Nm (connector module with sleeve housing) 0,4 Nm (screw terminal)

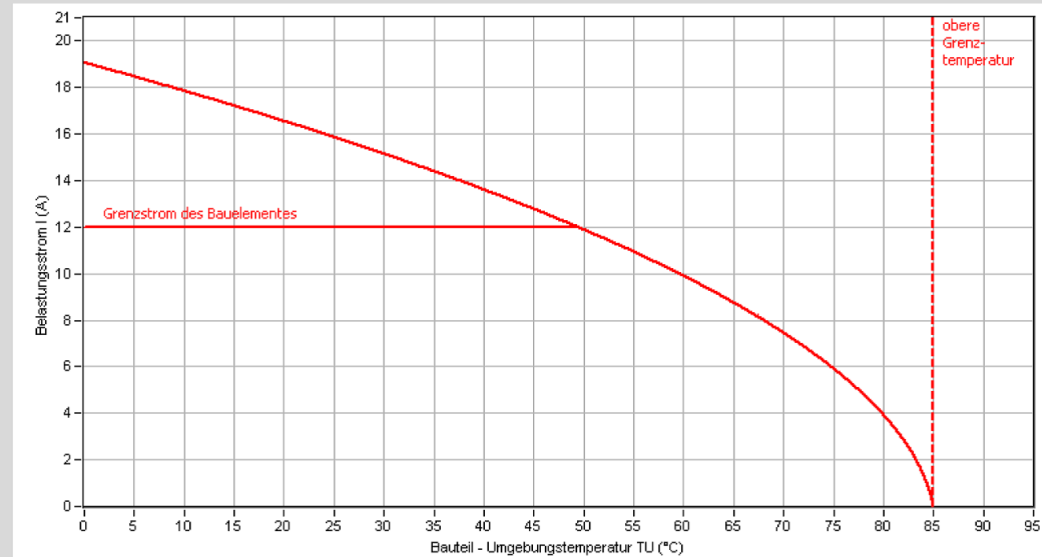
## Electrical values

Rated voltage	60 V
Rated impulse voltage	1500 V
Pollution degree	3
Overvoltage category	III
Material group	III
Rated current (40°C)	12 A
Contact resistance	≤ 3 mΩ
Degree of protection	IP 67
Mechanical operation	>100 mating cycles

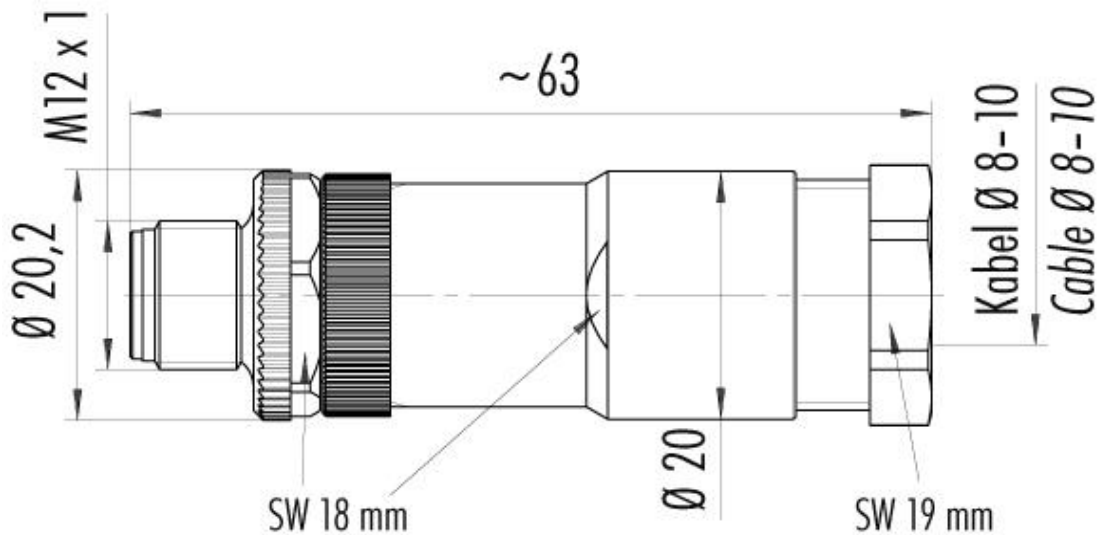
Creator: MOKO2/PDP Released: IVSE1/PDP	Document: DB22262010EN Version: 02	Page 1 of 3
---	---------------------------------------	-------------


## Derating Diagramm

Strombelastbarkeitskurve (Derating Diagramm)

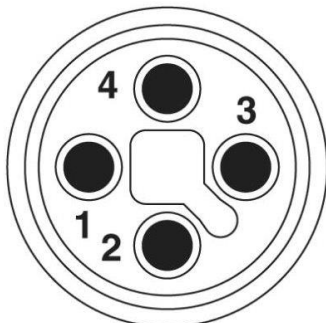


## Technical drawings and dimensions



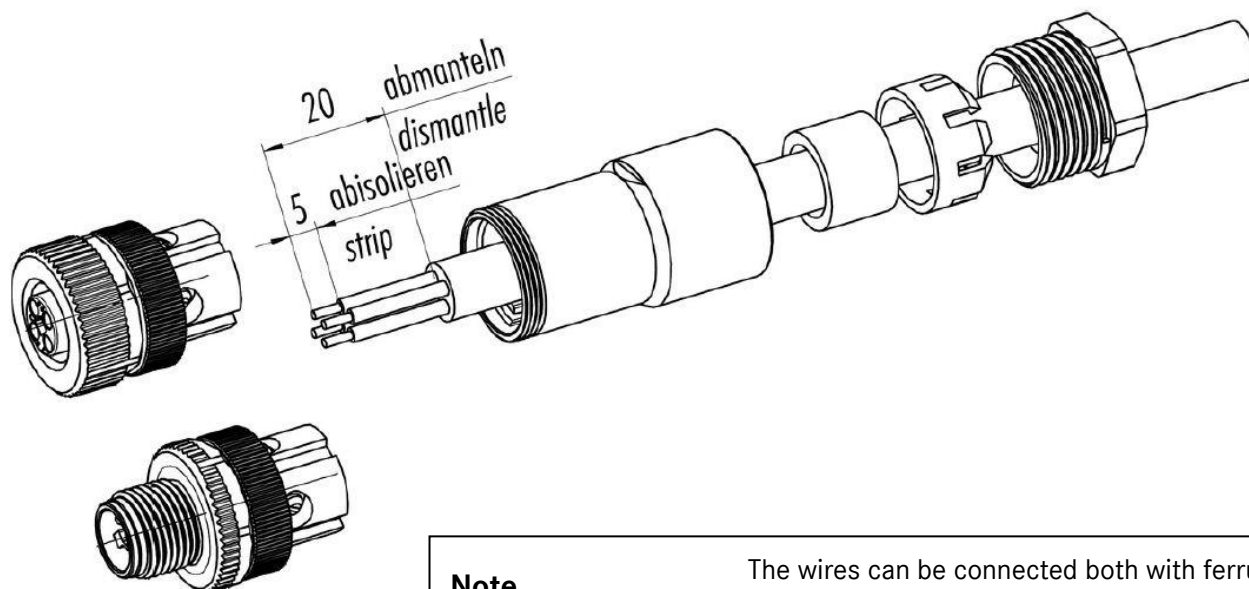
22262010	<b>DATA SHEET</b>	
Valid from: 12.09.2019	<b>AB-C4-M12MST-PG11</b>	

## Pole arrangement



Schemazeichnung  
Polbild M12-Stecker, 4-polig, T-kodiert, Ansicht Stiftseite

## Mounting



### Note

The wires can be connected both with ferrules and without ferrules

## Application range

Automation, industrial machinery and plant engineering

### Note

Photographs are not true to scale and do not represent detailed images of the respective products.