


|                           |                           |   |
|---------------------------|---------------------------|---|
| 22260589                  | <b>DATA SHEET</b>         |  |
| Valid from:<br>17.09.2018 | <b>AB-C5-2,0PUR-AD-2L</b> |   |

## Description

- Sensor/actuator cable with 2 LEDs, PUR halogen-free
- Free wire end, 3-pol, to valve plug AD (pressure switch)



## General characteristics

|                                    |   |
|------------------------------------|---|
| Number of pins                     | 5   |
| Ambient temperature                | -20 to +85 °C (-4°F to 185°F) (valve plug)<br>-40 to +80 °C (-40°F to 176°F) (cable fixed installation)<br>-20 to +80 °C (-4°F to 176°F) (cable flexible) |
| Degree of protection               | IP 65 / IP 67   |
| Cable length of the free cable end | 50 mm   |
| Central screw valve plug           | M3 x 29   |

## Variation

| Article  | Description         | Length [m] |
|----------|---------------------|------------|
| 22260589 | AB-C5-2,0PUR-AD-2L  | 2,0        |
| 22260590 | AB-C5-5,0PUR-AD-2L  | 5,0        |
| 22260591 | AB-C5-10,0PUR-AD-2L | 10,0       |

### Additional note


This datasheet is also valid for other length configurations. Other lengths upon request.

## Mechanical properties

### Plug

|   |                     |
|---|---------------------|
| Inflammability class according to UL 94 | V0                  |
| Contact valve plug                      | CuSn                |
| Contact surface valve plug              | Sn                  |
| Contact insert valve plug               | PA 6                |
| Housing valve plug                      | TPU                 |
| Seal                                    | TPU (seal injected) |
| Tightening torque                       | 0.6 Nm (valve plug) |

|   |                                       |             |
|---|---------------------------------------|-------------|
| Creator: ERTC1/PDP<br>Released: IVSE1/PDP | Document: DB22260589EN<br>Version: 04 | Page 1 of 3 |
|---|---------------------------------------|-------------|

|                           |                           |   |
|---------------------------|---------------------------|---|
| 22260589                  | <b>DATA SHEET</b>         |  |
| Valid from:<br>17.09.2018 | <b>AB-C5-2,0PUR-AD-2L</b> |   |

### Line

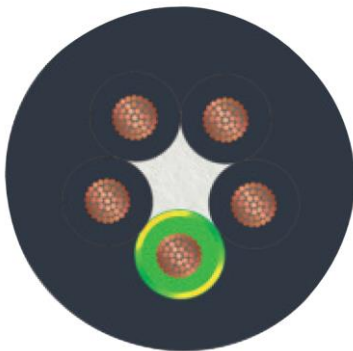
|  |  |
|--|--|
| Conductor diameter including isolation | 1.5 mm ± 0.05 mm (signal line)                   |
| Cable outer diameter                   | 5.3 mm ± 0.02 mm                                 |
| Core identification                    | Black 1, black 2, black 3, black 4, green/yellow |
| Sheath colour                          | Black gray RAL 7021                              |
| Bending radius                         | 50 mm  |
| Number of bending cycle                | 15000000   |
| Traveling distance                     | 0.9 m  |
| Travel speed                           | 5 m/s  |
| Acceleration                           | 30 m/s <sup>2</sup>                              |
| Outer coating, material                | PUR  |
| Material wire insulation               | PP   |
| Flame resistance                       | Acc. UL-Style 20549                              |
| Halogen-free                           | Acc. DIN VDE 0472 part 815                       |

### Electrical properties

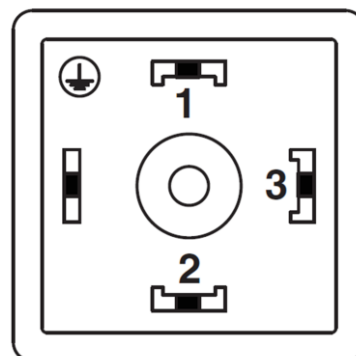
|                        |      |
|------------------------|------|
| Rated voltage          | 24 V |
| Rated current at 40 °C | 4 A  |
| Overvoltage category   | III  |
| Pollution degree       | 3    |

### Technical drawing

Wire cross section




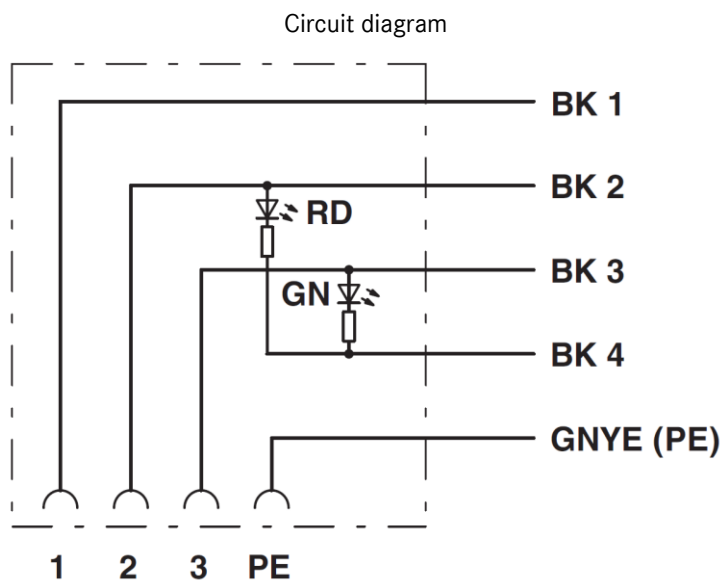
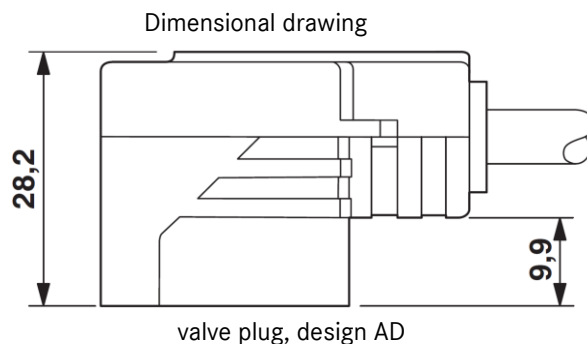
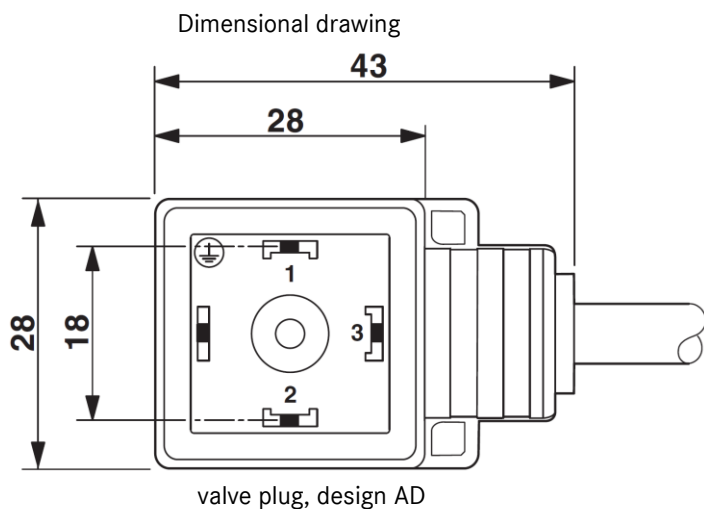
Drawing



Pin assignment valve plug, design AD

|   |                                       |             |
|---|---------------------------------------|-------------|
| Creator: ERTC1/PDP<br>Released: IVSE1/PDP | Document: DB22260589EN<br>Version: 04 | Page 2 of 3 |
|---|---------------------------------------|-------------|

|                           |                    |   |
|---------------------------|--------------------|---|
| 22260589                  | <b>DATA SHEET</b>  |  |
| Valid from:<br>17.09.2018 | AB-C5-2,0PUR-AD-2L |   |



Contact the valve plug

### Application range

Automation, industrial machinery and plant engineering

### Note

Photographs are not true to scale and do not represent detailed images of the respective products.

|   |                                       |             |
|---|---------------------------------------|-------------|
| Creator: ERTC1/PDP<br>Released: IVSE1/PDP | Document: DB22260589EN<br>Version: 04 | Page 3 of 3 |
|---|---------------------------------------|-------------|