


22260550	DATA SHEET	
Valid from: 18.11.2019	AB-C3-M12MS-(L*)PUR-A-1L-S	

Product description

- Sensor/actuator cable, 3-pins, PUR halogen-free, black grey RAL 7021
- straight M12-plug on valve connector configuration A, with 1 LED
- incl. Z-diode



General characteristics

Plug	M12-connector, A-coded Valve-connector, configuration A
Number of pins	3
Ambient temperature	-25 to +90 °C (-13°F to 194°F) (connector) -20 to +85 °C (-4°F to 18°F) (valve connector) -40 to +80 °C (-40°F to 176°F) (cable, fixed installation) -20 to +80 °C (-4°F to 176°F) (cable, flexible)
Degree of protection	IP65 / IP67
Tightening torque	0.4 Nm (M12-connector) 0.6 Nm (valve-connector)

Product variations

Article number	Description	Length (L*) [m]
22260550	AB-C3-M12MS-0.3PUR-A-1L-S	0.3
22260551	AB-C3-M12MS-0.6PUR-A-1L-S	0.6
22260552	AB-C3-M12MS-1.0PUR-A-1L-S	1.0
22261014	AB-C3-M12MS-1,1PUR-A-1L-S	1.1
22260553	AB-C3-M12MS-2.0PUR-A-1L-S	2.0

This datasheet is also valid for other length configurations. Other lengths upon request.

Electrical properties


Rated voltage	24 V
Rated current at 40 °C	4 A
Over voltage category	III
Pollution degree	3
Protective circuit	Z-diode

Mechanical properties

Plug & jack

Inflammability class acc. to UL 94	HB
Contact carrier (M12)	TPU GF
Grip body (M12)	TPU
Contacts (M12)	CuSn
Contact surface (M12)	Ni/Au
Knurl (M12)	zinc die-cast, nickel-plated
Sealing (M12)	TPU
Contact insert (valve-connector)	PA 66
Contacts (valve-connector)	CuSn
Contact surface (valve-connector)	Sn
Housing (valve-connector)	TPU

Creator: MANA2/PDP Released: IVSE1/PDP	Document: DB22260550EN Version: 06	Page 1 of 3
---	---------------------------------------	-------------

22260550	DATA SHEET	
Valid from: 18.11.2019	AB-C3-M12MS-(L*)PUR-A-1L-S	

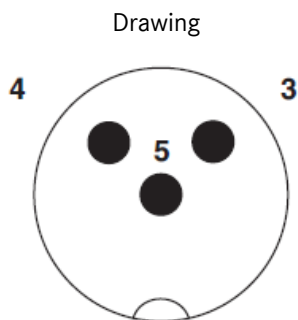
Line

Cable construction	3x AWG20/28 (signal line)
Conductor diameter including isolation	1.5 mm ±0.05mm
Cable outer diameter	4.5 mm ±0.2mm
Core identification	Black 1, black 2, green/yellow
Sheath colour	blackgrey, similar to RAL 7021
Bending radius	50 mm
Number of bending cycle	15000000
Traveling distance	0.9 m
Travel speed	5 m/s
Acceleration	30 m/s ²
Outer coating, material	PUR
Wire insulation, material	PP
Flame resistance	acc. DIN VDE 0482 acc. DIN EN 50265-2-1
Halogen-free	acc. DIN VDE 0472 part 815

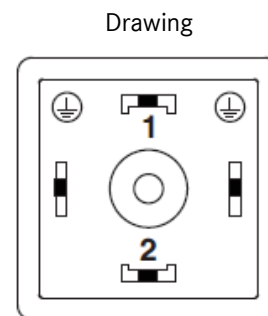
Standards / Approvals

Product standard, M12 connector	IEC 61076-2-101
Product standard, valve connector	EN 175301-803

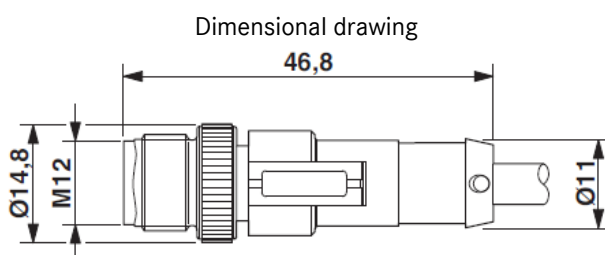
Technical drawing



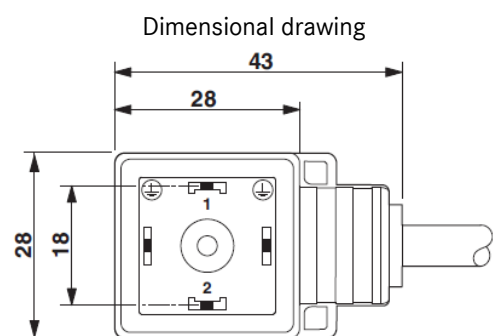
M12-plug, 3-pins, A-coding



Valve connector, configuration A




Plug M12x1, straight

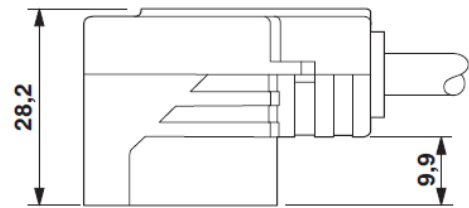


Valve connector, configuration A

Creator: MANA2/PDP Released: IVSE1/PDP	Document: DB22260550EN Version: 06	Page 2 of 3
---	---------------------------------------	-------------

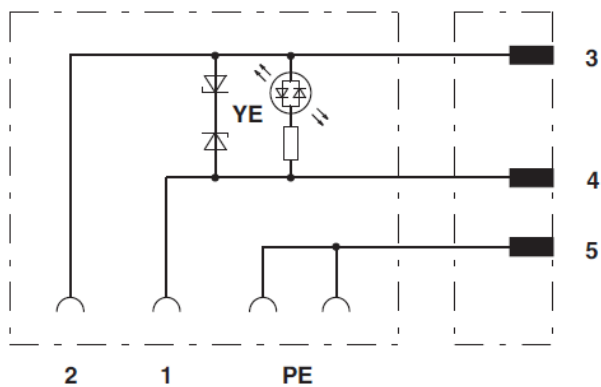
22260550	DATA SHEET	
Valid from: 18.11.2019	AB-C3-M12MS-(L*)PUR-A-1L-S	

Dimensional drawing



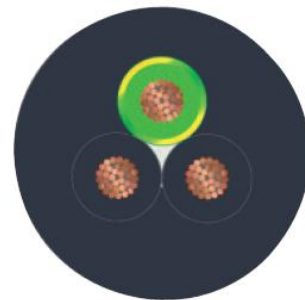
Valve connector, configuration A, Side view

Circuit diagram



Contact assignment the M12-/valve-connector

Wire cross section



Application range

Automation, Tool shop, Mechanical Engineering and plant engineering

Note

Photographs are not true to scale and do not represent detailed images of the respective products.

Creator: MANA2/PDP Released: IVSE1/PDP	Document: DB22260550EN Version: 06	Page 3 of 3
---	---------------------------------------	-------------