


22260505	DATA SHEET	
Valid from: 07.10.2019	AB-C3-M12Y-(L*)PUR-M12FA-B	

Product description

Sensor/actuator cable, 3-pos., PUR black, straight
Y-plug M12 on 2x angled jack M12, PIN 2+4 bridged.



Product variations

Article number	Article description	Length (L*) [m]
22260505	AB-C3-M12Y-0,3PUR-M12FA-B	0.3
22260506	AB-C3-M12Y-0,6PUR-M12FA-B	0.6
22260507	AB-C3-M12Y-1,0PUR-M12FA-B	1.0
22260508	AB-C3-M12Y-2,0PUR-M12FA-B	2.0

This datasheet is also valid for other length configurations. Other lengths upon request.

M12 connector


General properties

Coding	A
Protection degree	IP65/IP67
Number of contacts	4 (M12-Y-plug) 4 (M12-jack Pin 2+4 bridged)
Ambient temperature	-25 °C to +90 °C
Rated voltage	250 V
Rated current (at +40°C)	4 A
Insulation resistance	≥ 100 MΩ
Contact resistance	≤ 5 mΩ
Overvoltage category	II
Pollution degree	3
Tightening torque	0.4 Nm
Mating cycles	≥ 100

Materials

Contact carrier	TPU GF
Contact carrier, inflammability class in accordance with UL 94	HB
Material, contacts	CuSn
Contact surface	Ni/Au
Material, grip body	TPU
Material, knurl	zinc die-cast, nickel-plated
Material, sealing	NBR

Creator: MANA2/PDP Released: IVSE1/PDP	Document: DB22260505EN Version: 07	Page 1 of 3
---	---------------------------------------	-------------

22260505	DATA SHEET	
Valid from: 07.10.2019	AB-C3-M12Y-(L*)PUR-M12FA-B	


Cable

Signal line, construction	42 x 0.10 mm
Signal line, AWG	22
Conductor, material	stranded of bare copper wire
Conductor, cross-section	0.34 mm ²
Number of cores	3
Core identification code	brown (1), blue (2), black (4)
Outer diameter, core insulation	1.27 mm
Core insulation, material	PP
Outer sheath	PUR
Outer sheath, color	grey-black similar to RAL 7021
Outer diameter, cable	4.0 mm
Ambient temperature, fixed installation	-40 °C to +80 °C
Ambient temperature, flexing	-25 °C to +80 °C
Minimum bending radius, fixed installation	19 mm
Minimum bending radius, flexing	38 mm
Travel length	10 m
Travel speed	3 m/s
Travel acceleration	10 m/s ²
Number of bending cycles (at bending radii 44mm)	10.000.000
Nominal voltage	≤ 300 V
Test voltage	≥ 3000 V
Flame retardance	acc. to UL 758/1581 FT2 DIN EN 60332-2-2 (20s)
Halogen free	halogen free acc. to DIN VDE 0472 Part 815
Oil resistance	oil resistant acc. to DIN EN 60811-2-1
Other resistances	resistant to hydrolysis and microbes good resistant to acids, lyes and solvents limited UV resistance acc. to DIN EN ISO 4892-2-A

Standards/Approvals

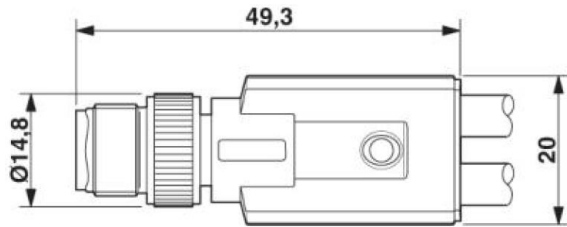
Product standard, M12 connector	IEC 61076-2-101
UL-listed, E-File	E249137

Creator: MANA2/PDP Released: IVSE1/PDP	Document: DB22260505EN Version: 07	Page 2 of 3
---	---------------------------------------	-------------

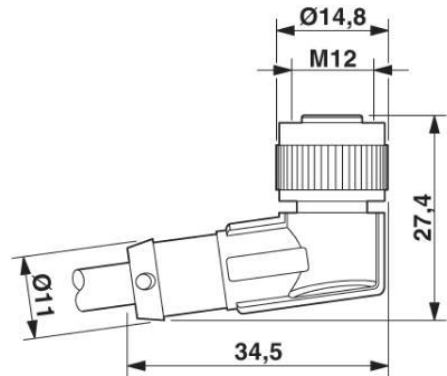
22260505	DATA SHEET	
Valid from: 07.10.2019	AB-C3-M12Y-(L*)PUR-M12FA-B	

Drawings

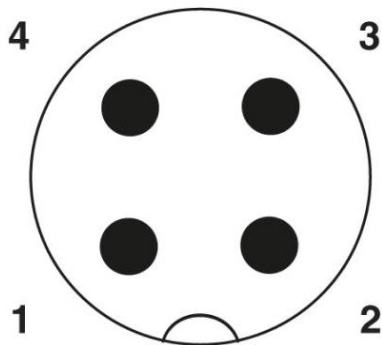
Dimensioned drawing, M12Y connector



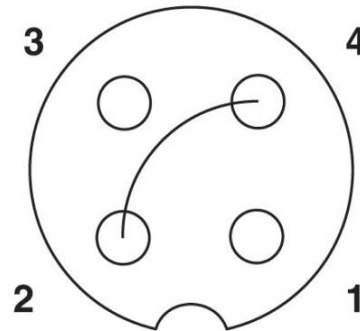
Dimensioned drawing, M8 connector



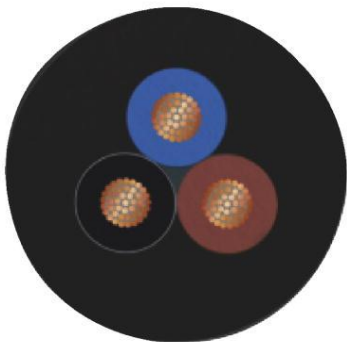
Pin assignment



Pin assignment

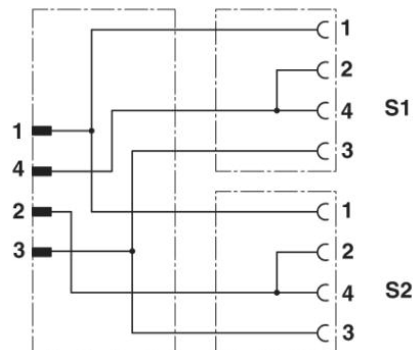


Cable



Core identification code: brown (1), blue (2), black (4)

Wiring diagram



Application range

Automation, industrial machinery and plant engineering

Note

Photographs are not true to scale and do not represent detailed images of the respective products.

Creator: MANA2/PDP Released: IVSE1/PDP	Document: DB22260505EN Version: 07	Page 3 of 3
---	---------------------------------------	-------------