


22260370	<b>DATA SHEET</b>	
Valid from: 17.09.2018	<b>AB-C3-10,0PVC-M8FA</b>	

## Description

S/A cable, 3-pos., PVC, BK, angled socket M8 on free conductor end, length 10.0 m



## General data

Number of positions 3  
Length of cable 10 m


## General characteristics

Contact material CuSn  
Contact surface material Ni/Au  
Contact carrier material TPU GF  
Material of grip body TPU, hardly inflammable, self-extinguishing  
Material, knurls Zinc die-cast, (nickel-plated)  
Sealing material NBR

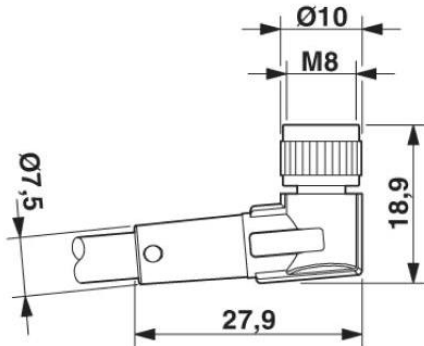
## Conductor data

Cable type PVC black  
Cable abbreviation LiYY  
Conductor cross section 0.25 mm<sup>2</sup>  
AWG signal line 24  
Conductor structure, signal line 32 x 0.10 mm  
Core diameter including insulation 1.32 mm ±0.02 mm  
Thickness, insulation ≥ 0.23 mm (Core insulation)  
≥ 0.38 mm (Outer cable sheath)  
External cable diameter 4.70 mm  
Wire colours Brown, white, blue, black  
External sheath, colour Black RAL 9005  
Insulation resistance ≥ 100 MΩ\*km  
Conductor resistance max. 77.6 Ω/km  
Nominal voltage, conductor 300 V  
Test voltage, conductor 2500 V  
Overall twist 4 wires, twisted  
Outer sheath, material PVC  
Material conductor insulation PVC  
Conductor material Bare Cu litz wires  
Cable weight 37 kg/km

Creator: PAMA7/PDP Released: IVSE1/PDP	Document: DB22260370EN Version: 01	Page 1 of 2
---	---------------------------------------	-------------

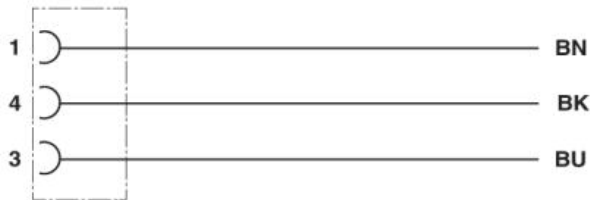
22260370	<b>DATA SHEET</b>	
Valid from: 17.09.2018	<b>AB-C3-10,0PVC-M8FA</b>	

## Technical drawings and dimensions



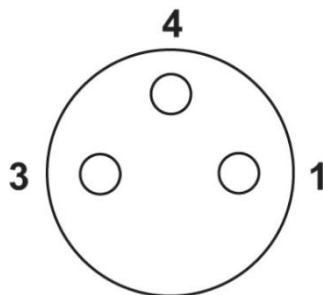
Dimensioned drawing 1

Socket M8 x 1, angled



Circuit diagram 1

3-pos.



Schematic diagram 1

Pin assignment M8 socket, 4-pos., view female side

## Application range

For medium mechanical stress in dry conditions

## Note

Photographs are not true to scale and do not represent detailed images of the respective products.

Creator: PAMA7/PDP Released: IVSE1/PDP	Document: DB22260370EN Version: 01	Page 2 of 2
---	---------------------------------------	-------------