


|                           |                                  |   |
|---------------------------|----------------------------------|---|
| 22260304                  | <b>DATA SHEET</b>                |  |
| Valid from:<br>12.09.2019 | <b>AB-C4-M12MA-(L*)PUR-M12FS</b> |   |

## Product description

Sensor/actuator cable, 4-pos., PUR black, angled plug M12 on straight socket M12.



## Product variations

| Article number | Article description      | Length (L*) [m] |
|----------------|--------------------------|-----------------|
| 22260304       | AB-C4-M12MA-0,3PUR-M12FS | 0.3             |
| 22260305       | AB-C4-M12MA-0,6PUR-M12FS | 0.6             |
| 22260306       | AB-C4-M12MA-1,0PUR-M12FS | 1.0             |
| 22260307       | AB-C4-M12MA-2,0PUR-M12FS | 2.0             |

This datasheet is also valid for other length configurations. Other lengths upon request.

## M12 connector


### General properties

|                       |                  |
|-----------------------|------------------|
| Coding                | A                |
| Protection degree     | IP65/IP67/IP68   |
| Number of contacts    | 4                |
| Ambient temperature   | -25 °C to +90 °C |
| Rated voltage         | 250 V            |
| Rated current         | 4 A              |
| Insulation resistance | ≥ 100 MΩ         |
| Contact resistance    | ≤ 5 mΩ           |
| Overvoltage category  | II               |
| Pollution degree      | 3                |
| Tightening torque     | 0.4 Nm           |
| Mating cycles         | 100              |

### Materials

|  |                              |
|--|------------------------------|
| Contact carrier  | TPU GF                       |
| Contact carrier, inflammability class in accordance with UL 94 | HB                           |
| Material, contacts   | CuSn                         |
| Contact surface  | Ni/Au                        |
| Material, grip body  | TPU                          |
| Material, knurl  | zinc die-cast, nickel-plated |
| Material, sealing  | NBR                          |

|   |                                       |             |
|---|---------------------------------------|-------------|
| Creator: MANA2/PDP<br>Released: IVSE1/PDP | Document: DB22260304EN<br>Version: 05 | Page 1 of 3 |
|---|---------------------------------------|-------------|

|                           |                                  |   |
|---------------------------|----------------------------------|---|
| 22260304                  | <b>DATA SHEET</b>                |  |
| Valid from:<br>12.09.2019 | <b>AB-C4-M12MA-(L*)PUR-M12FS</b> |   |


## Cable

|  |  |
|--|--|
| Signal line, construction                  | 42 x 0.10 mm   |
| Signal line, AWG                           | 22   |
| Conductor, material                        | stranded of bare copper wire   |
| Conductor, cross-section                   | 0.34 mm <sup>2</sup>   |
| Number of cores                            | 4  |
| Core identification code                   | brown (1), white (2), blue (3), black (4)  |
| Outer diameter, core insulation            | 1.27 mm  |
| Core insulation, material                  | PP   |
| Outer sheath                               | PUR  |
| Outer sheath, color                        | grey-black similar to RAL 7021   |
| Outer diameter, cable                      | 4.7 mm   |
|  |  |
| Ambient temperature, fixed installation    | -40 °C to +80 °C   |
| Ambient temperature, flexing               | -25 °C to +80 °C   |
| Minimum bending radius, fixed installation | 5 x cable diameter   |
| Minimum bending radius, flexing            | 10 x cable diameter  |
| Travel length                              | 10 m   |
| Travel speed                               | 3 m/s  |
| Number of bending cycles                   | 4.000.000  |
| Nominal voltage                            | ≤ 300 V  |
| Test voltage                               | ≥ 3000 V   |
|  |  |
| Flame retardance                           | flame retardant acc. to UL 758/1581 (horizontal)<br>UL 758/1581 FT2  |
| Halogen free                               | halogen free acc. to DIN VDE 0472 Part 815<br>DIN EN 50267-2-1   |
| Oil resistance                             | oil resistant acc. to DIN EN 60811-2-1<br>resistant to hydrolysis and microbes<br>good resistant to acids, lyes and solvents |
| Other resistances                          | resistant to sea water<br>limited UV resistance acc. to DIN EN ISO 4892-2-A<br>low-adhesion<br>abrasion-resistant            |

## Standards/Approvals

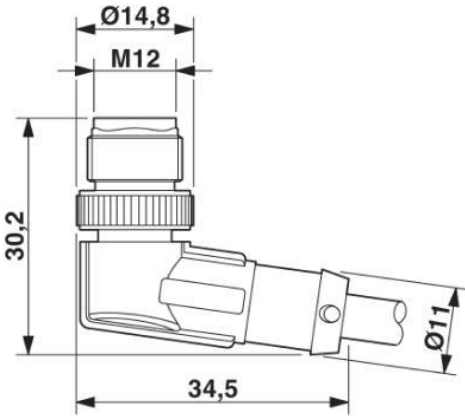
|                                 |                 |
|---------------------------------|-----------------|
| Product standard, M12 connector | IEC 61076-2-101 |
| UL-listed, E-File               | E249137         |

|   |                                       |             |
|---|---------------------------------------|-------------|
| Creator: MANA2/PDP<br>Released: IVSE1/PDP | Document: DB22260304EN<br>Version: 05 | Page 2 of 3 |
|---|---------------------------------------|-------------|

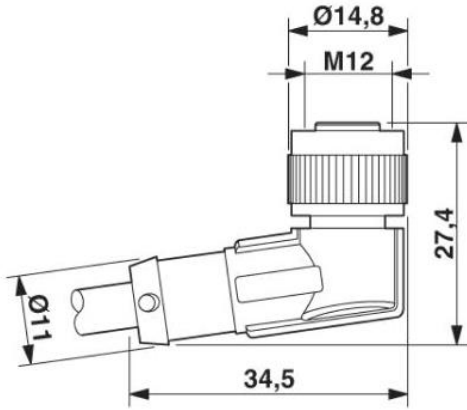
|                           |                           |   |
|---------------------------|---------------------------|---|
| 22260304                  | <b>DATA SHEET</b>         |  |
| Valid from:<br>12.09.2019 | AB-C4-M12MA-(L*)PUR-M12FS |   |

**Drawings**

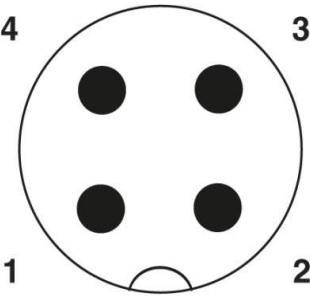
Dimensioned drawing, M12 plug



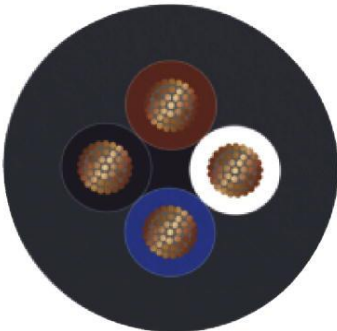
Dimensioned drawing, M12 socket



Pin assignment

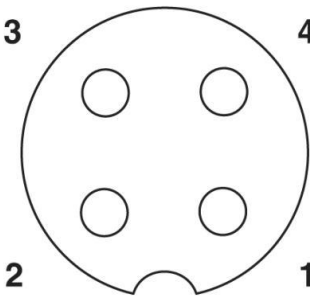


Cable

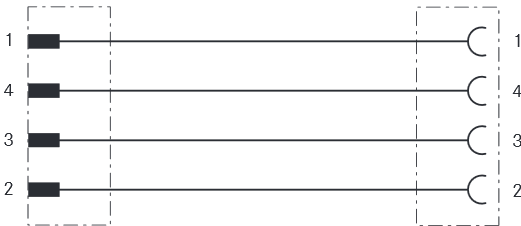


Core identification code: brown (1), white (2), blue (3), black (4)

Pin assignment



Wiring diagram



**Application range**

Automation, industrial machinery and plant engineering

**Note**

Photographs are not true to scale and do not represent detailed images of the respective products.

|   |                                       |             |
|---|---------------------------------------|-------------|
| Creator: MANA2/PDP<br>Released: IVSE1/PDP | Document: DB22260304EN<br>Version: 05 | Page 3 of 3 |
|---|---------------------------------------|-------------|