


| | | |
|---------------------------|---------------------------------------|-------------------------------------------------------------------------------------|
| 2171771 | DATA SHEET |  |
| Valid from: 17.09.2018 | IE-EC-5-RJ45-(L*)-P-2-26-FD-OE | |

Product description

Industrial Ethernet Patchcord, EtherCat, Cat.5e, straight plug RJ45 on free conductor end, PUR, for drag chain



This datasheet is also valid for other lengths configurations. Other lengths configurations on request.

Product variations

| Article number | Article description | Length (L*) [m] |
|----------------|-------------------------------|-----------------|
| 2171771 | IE-EC-5-RJ45-0,5-P-2-26-FD-OE | 0,5 |
| 2171772 | IE-EC-5-RJ45-1-P-2-26-FD-OE | 1 |
| 2171773 | IE-EC-5-RJ45-2-P-2-26-FD-OE | 2 |
| 2171774 | IE-EC-5-RJ45-3-P-2-26-FD-OE | 3 |
| 2171775 | IE-EC-5-RJ45-5-P-2-26-FD-OE | 5 |
| 2171776 | IE-EC-5-RJ45-10-P-2-26-FD-OE | 10 |
| 2171777 | IE-EC-5-RJ45-20-P-2-26-FD-OE | 20 |


General properties, Patchcord

| | |
|-----------------------|---------------------------|
| Outer diameter, cable | 4.8 mm |
| Number of cores | 4 |
| Outer sheath | PUR |
| Outer sheath, color | green similar to RAL 6018 |

General properties, cable

| | |
|------------------------------|--------------------------------------------------------------------------------------|
| LAPP-Article number of cable | 2170433 |
| LAPP-Description of cable | ETHERLINE P EC FD Cat.5e |
| Conductor, material | tinned stranded copper |
| Insulation, outer diameter | ca. 1.00 mm |
| Insulation, material | Polyolefin |
| Core identification code | pair 1: white-orange, orange; pair 2: white-green, green |
| Stranding | star quad |
| Wrapping | PET tape |
| Screening | plastic laminated aluminum foil on top: braid of copper wire, coverage ca. 85% |

| | | |
|-------------------------------------------|--------------------------------------|-------------|
| Creator: MANA2/PDP Released: IVSE1/PDP | Document: DB2171771EN Version: 03 | Page 1 of 3 |
|-------------------------------------------|--------------------------------------|-------------|

| | | |
|---------------------------|---------------------------------------|-------------------------------------------------------------------------------------|
| 2171771 | DATA SHEET |  |
| Valid from: 17.09.2018 | IE-EC-5-RJ45-(L*)-P-2-26-FD-OE | |

Electrical properties, cable at 20°C

| | |
|-----------------------------------------------------|--------------------------------|
| Resistance (loop) | ≤ 142 Ω/km |
| Insulation material, specific electrical resistance | ≥ 5 GΩ*km |
| Characteristic impedance (1 MHz to 100 MHz) | 100 Ω ± 15 Ω |
| Operating peak voltage | 125 V (not for power purposes) |
| Test voltage (rms 50 Hz, 1 min.), core-core | 1500 V |
| Test voltage (rms 50 Hz, 1 min.), core-screening | 1500 V |

Mechanical and thermal properties, cable

| | |
|---------------------------------------------------|------------------------------------------------------------------------------------------------------------|
| Minimum bending radius, during laying | 16 x cable diameter |
| Minimum bending radius, fixed installation | 4 x cable diameter |
| Permissible temperature range, during laying | -30 °C to +50 °C |
| Permissible temperature range, fixed installation | -40 °C to +80 °C |
| Flame propagation | flame retardant acc. UL 1581 (FT1) |
| Halogen free | halogen free acc. to VDE 0472-815 |
| General requirements | Dangerous and forbidden substance acc. to RoHS directive (2011/65/EU) are not allowed to the manufacturing |


General properties, RJ45 connector

| | |
|------------------------|---------------------|
| Protection degree | IP20 |
| Rated voltage max. | 50 V |
| Rated current at 40 °C | 1 A |
| Ambient temperature | -40 °C to +70 °C |
| Insulation resistance | ≥ 10 ⁸ Ω |

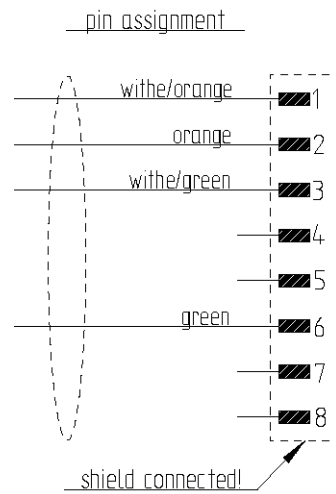
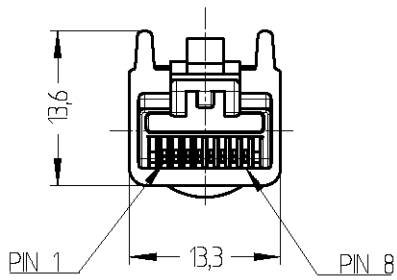
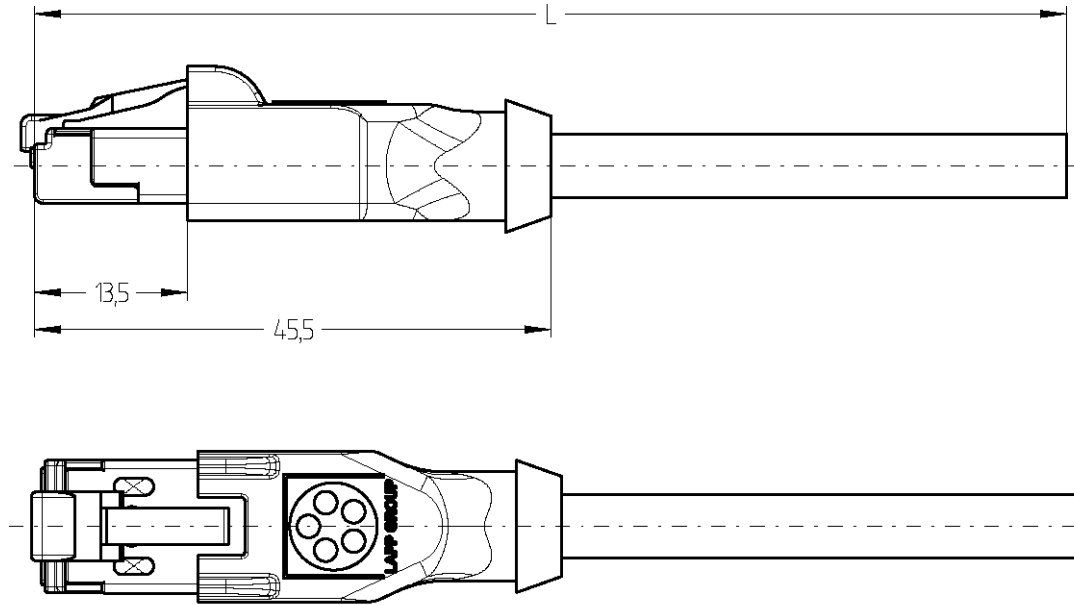
Standards

| | |
|----------------------------------|-------------------|
| Product standard, RJ45 connector | DIN EN 60603-7-51 |
|----------------------------------|-------------------|

| | | |
|-------------------------------------------|--------------------------------------|-------------|
| Creator: MANA2/PDP Released: IVSE1/PDP | Document: DB2171771EN Version: 03 | Page 2 of 3 |
|-------------------------------------------|--------------------------------------|-------------|

| | | |
|---------------------------|--------------------------------|-------------------------------------------------------------------------------------|
| 2171771 | DATA SHEET |  |
| Valid from: 17.09.2018 | IE-EC-5-RJ45-(L*)-P-2-26-FD-OE | |

Drawings



Application range

Automation, industrial machinery and plant engineering

Note

Photographs are not true to scale and do not represent detailed images of the respective products.

| | | |
|-------------------------------------------|--------------------------------------|-------------|
| Creator: MANA2/PDP Released: IVSE1/PDP | Document: DB2171771EN Version: 03 | Page 3 of 3 |
|-------------------------------------------|--------------------------------------|-------------|