


| | | |
|---------------------------|--|---|
| 2171200 | DATA SHEET |  |
| Valid from: 07.09.2018 | IE-PNB-5-M12DF-S-(L*)-Y-2-22-7-M12D-S | |

Description

- Ethernet patchcords, Profinet Type B, shielded
- For industrial ethernet
- Consisting of straight M12-jack, D-coded and straight M12-plug, D-coded



General characteristics

| | |
|------------------------------|--|
| Connection method, connector | M12-plug, D-coded M12-jack, D-coded |
| Number of pins | 4 |
| Ambient temperature | -30°C to +90°C (-22°F to 194°F) |
| Degree of protection | IP 65, IP 67 (M12, plugged and locked) |
| Shielding | Shielded |

Product variations

| Article | Description | Length (L*) [m] |
|---------|--------------------------------------|-----------------|
| 2171200 | IE-EC-5-M12DF-S-0,5-P-2-26-FD-M12D-S | 0,5 |
| 2171201 | IE-EC-5-M12DF-S-1-P-2-26-FD-M12D-S | 1 |
| 2171202 | IE-EC-5-M12DF-S-2-P-2-26-FD-M12D-S | 2 |
| 2171203 | IE-EC-5-M12DF-S-3-P-2-26-FD-M12D-S | 3 |
| 2171204 | IE-EC-5-M12DF-S-3,5-P-2-26-FD-M12D-S | 3,5 |
| 2171205 | IE-EC-5-M12DF-S-5-P-2-26-FD-M12D-S | 5 |
| 2171206 | IE-EC-5-M12DF-S-10-P-2-26-FD-M12D-S | 10 |

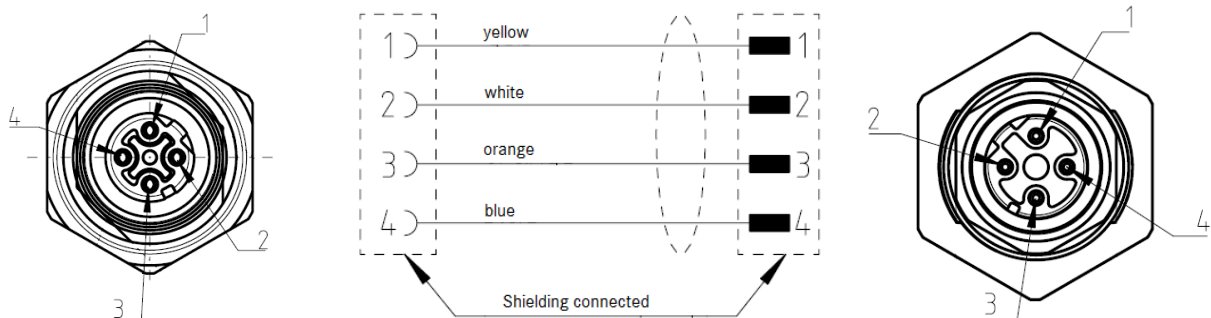
Additional note


Data sheet also valid for variant lengths. Other lengths on request.

Electrical properties

| | |
|------------------------|-----------------------------|
| Rated voltage (max.) | 250 V |
| Rated current at 40 °C | 4 A |
| Pollution degree | 3 (M12, plugged and locked) |

Connector pin assignment



| | | |
|---------------------------|--|---|
| 2171200 | DATA SHEET |  |
| Valid from: 07.09.2018 | IE-PNB-5-M12DF-S-(L*)-Y-2-22-7-M12D-S | |

Mechanical properties

M12-jack & -plug

| | |
|---------------------------|---------------------|
| Nut, material | CuZn, nickel plated |
| Contact, material | CuZn, gold plated |
| Contact carrier, material | TPU, black |

Line (Lapp article number: 2170886)

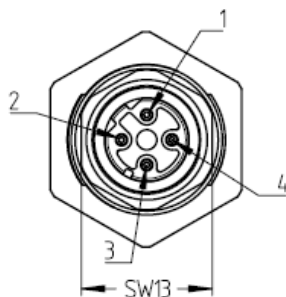
| | |
|--|---|
| Cable construction | 4x1x AWG 22/7 |
| Conductor diameter including isolation | ca. 1.6 mm |
| Cable outer diameter | ca. 6.5 mm |
| Core color | White, yellow, blue, orange |
| Sheath color | green, similar RAL 6018 |
| Type of pair shielding | Plastic laminated alufoil |
| Shielding | Braid made of tinned copper wires |
| Bending radius | 3 x cable outer diameter (fixed installation) 7 x cable outer diameter (flexible installation) |
| Outer coating, material | PVC |
| Wire insulation, material | PE |
| Flame resistance | UL1685(CSA FT4) |

Standards / Approvals

| | |
|---------------------------------|-----------------|
| Product standard, M12-connector | IEC 61076-2-101 |
|---------------------------------|-----------------|

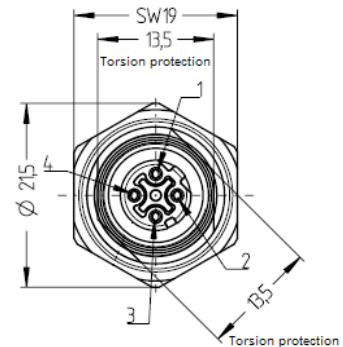
Technical drawing

Dimensional drawing



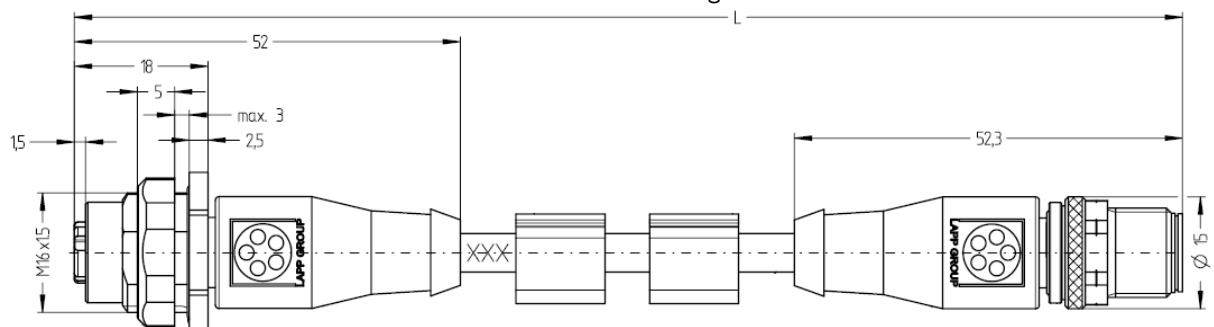
Plug M12x1

Dimensional drawing




Jack M12x1

Dimensional drawing

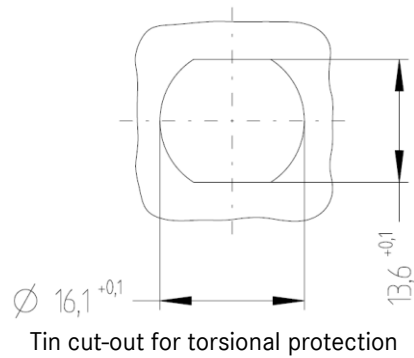


Complete patchcord

| | | |
|---|--------------------------------------|-------------|
| Creator: FELI1/PDP Released: IVSE1/PDP | Document: DB2171200EN Version: 00 | Page 2 of 3 |
|---|--------------------------------------|-------------|

| | | |
|---------------------------|--|---|
| 2171200 | DATA SHEET |  |
| Valid from: 07.09.2018 | IE-PNB-5-M12DF-S-(L*)-Y-2-22-7-M12D-S | |

Dimensional drawing



Application range

Automation, industrial machinery and plant engineering

Note

Photographs are not true to scale and do not represent detailed images of the respective products.

| | | |
|---|--------------------------------------|-------------|
| Creator: FELI1/PDP Released: IVSE1/PDP | Document: DB2171200EN Version: 00 | Page 3 of 3 |
|---|--------------------------------------|-------------|