


21700651	<b>DATA SHEET</b>	
Valid from: 01.04.2020	<b>EPIC® DATA ED-IE-AXS-5-PN-20-FC</b>	

## Description

- Field mountable RJ45-connector acc. IEC 60603-7-5 1 shielded
- Color coding acc. to PROFINET standard
- For industrial ethernet



## General characteristics

Connection method, connector	RJ45-plug, field mountable
Number of pins	4
Ambient temperature	-40°C to +85°C (-40°F to 185°F)
Degree of protection	IP 20
Shielding	Shielded
For cable-Ø	Ø5.5 mm to Ø10.0 mm

## Variation

Article	Description	Valid cu-conductor	Valid insulation-Ø	Pin assignment
21700651*	ED-IE-AXS-5-PN-20-FC	AWG22/1 to AWG24/1 AWG22/7 to AWG27/7	1,0 – 1,6	PROFINET

## Additional note

\* Released Lapp-cables (for AWG22/19) 2170888.

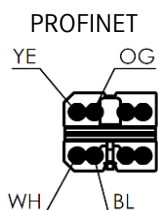
## Electrical properties

Rated voltage	50 VAC / 60 VDC (max.)
Rated current at 50 °C	1 A
Pollution degree	2
Contact resistance	≤ 20 mΩ
Insulation resistance	≥ 500 MΩ
Withstand voltage	≥ 1000 VDC contact to contact ≥ 1500 VDC contact to shield


## Transmission characteristics

Category (ISO)	5 (PROFINET Installation Guideline) 6 <sub>A</sub> (Product Standard RJ45-connector)
----------------	---

## Connector pin assignment



Creator: FELI1/PDP Released: IVSE1/PDP	Document: DB21700651EN Version: 01	Page 1 of 2
---	---------------------------------------	-------------

21700651	<b>DATA SHEET</b>	
Valid from: 01.04.2020	<b>EPIC® DATA ED-IE-AXS-5-PN-20-FC</b>	

## Mechanical properties

### RJ45-plug

Inflammability class according to UL 94

Connector housing, material

Contact housing, material

Wire presorting, material

Hook, material

Strain relief lever, material

Protection cap, material

Screening shield, material

PCB, material

Piercing contacts, material

Shield contact, material

Contact, material

V0

Zink diecast Ni plated

PC crystal clear

PC white

PC black

PBT black

PBT black

spring steel

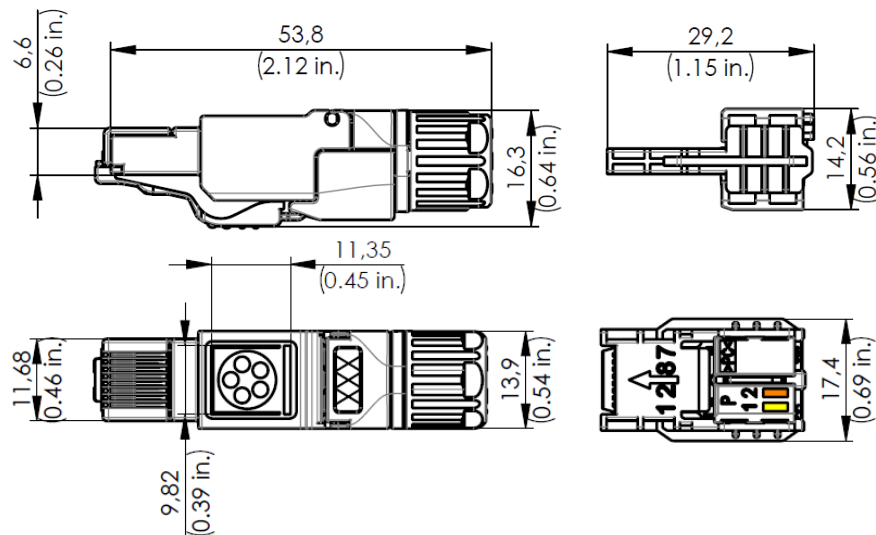
FR4, soldermask both side

phosphor bronze, sn plated

brass, ni plated

spring steel, gold plated

## Technical drawing



## Standards / Approvals

Product standard, RJ45-connector

Generic cabling systems

IEC 60603-7-51

Profinet Installation Guideline

## Approvals

UL listed, E-File

DUXR.E353543

## Application range

Automation, industrial machinery and plant engineering

## Note

Photographs are not true to scale and do not represent detailed images of the respective products.

Creator: FELI1/PDP Released: IVSE1/PDP	Document: DB21700651EN Version: 01	Page 2 of 2
---	---------------------------------------	-------------