


21700648	DATA SHEET	
Valid from: 01.04.2020	ED-IE-AX-M12D-5-67	

Product description

straight plug, field mountable, M12 D-coded, 4 pins, colour coding acc. to TIA 568, Cat.5, shielded



General characteristics

Ambient temperature	-25 to +85 °C
Protection degree	IP 67
Termination type	IDC
Outer diameter, cable	5.0 – 6.1 mm
Outer diameter, wire	0.85 – 1.6 mm
Termination cross section, stranded, 7 wires	AWG26/7 – AWG22/7
Termination cross section, solid	AWG26/1 – AWG22/1
Pollution degree	2
Overvoltage category	III
Shielding	shielded

Mechanical properties

Insertion force	≤ 30 N
Mating cycles	≥ 100

Electrical properties

Rated voltage	60 V
Current carrying capacity at 40°C	1 A
Contact resistance	≤ 20 mΩ
Insulation resistance	≥ 100 MΩ

Transmission characteristics

Suitable for 100 Mbit Ethernet acc. to IEEE 802.3an	yes
Category 5	ISO/IEC 11801

Materials

Connector housing, base material	die-cast zinc
Connector housing, surface	Ni
Contacts, surface	Au


Standards

Product standard	DIN EN 61076-2-101
------------------	--------------------

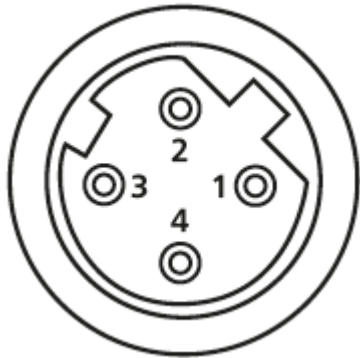
Approvals

UL listed, E-File	DUXR.E353543
-------------------	--------------

Creator: MANA2/PDP Released: IVSE1/PDP	Document: DB21700648EN Version: 05	Page 1 of 2
---	---------------------------------------	-------------

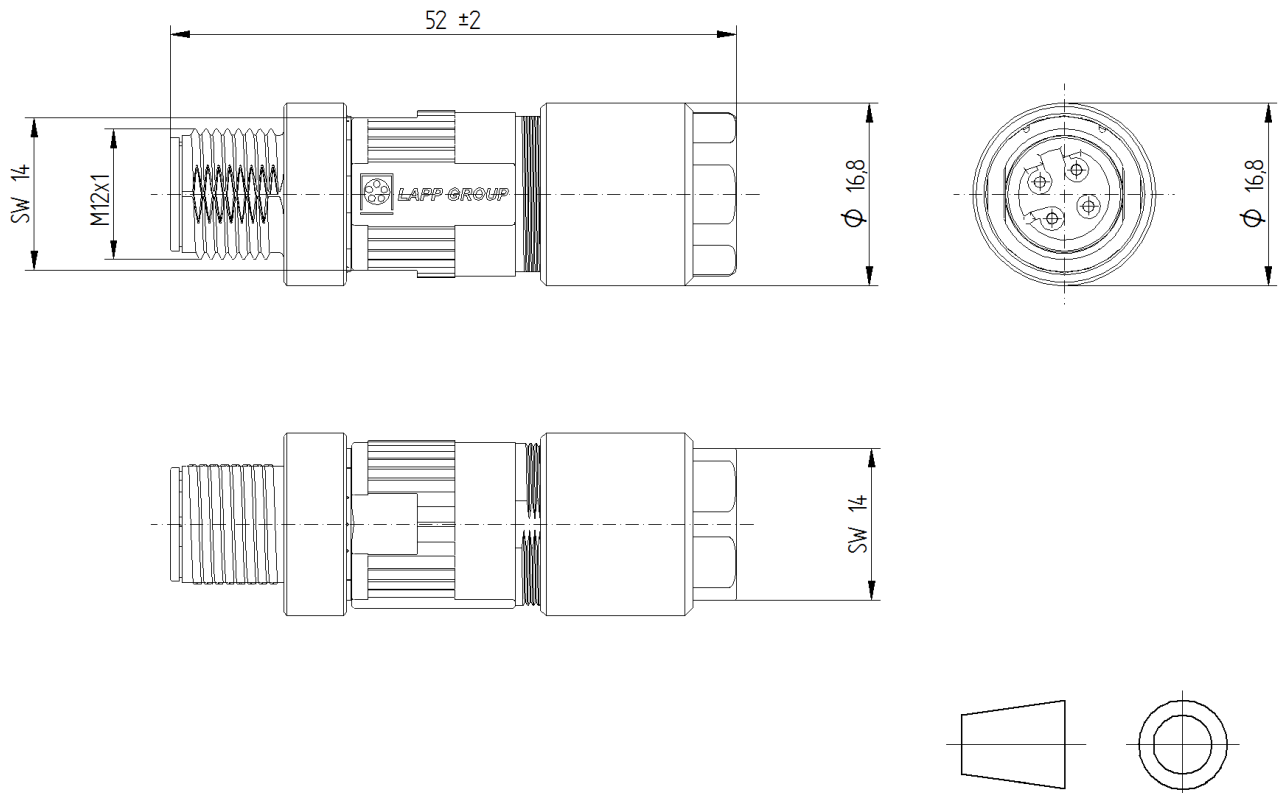
21700648	DATA SHEET	
Valid from: 01.04.2020	ED-IE-AX-M12D-5-67	

Pin assignment



Pin-No.	Color coding
1	WH / OG
2	WH / GN
3	OG
4	GN

Drawings



Note

Photographs are not true to scale and do not represent detailed images of the respective products.