

21700646	DATA SHEET	
Valid from: 09.11.2018	ED-IE-AX-M12XF-RM-6_A-67-FC-S	

Product description

- Field mountable Industrial Ethernet Connector, M12 X-coded acc. to IEC 61076-2-109
- Mounting flange for rear mounting
- Suitable for industrial applications
- Robust and consistent against vibration
- No special tools needed



General properties

Ambient temperature	-40 to +85 °C
Protection degree	IP 67
Termination type	IDC
Outer diameter, cable	5.0 – 6.3 mm *
Outer diameter, wire	0.85 – 1.6 mm
Termination cross section, stranded, 7 wires	AWG26/7 – AWG22/7
Termination cross section, solid	AWG24/1 – AWG22/1
Pollution degree	2
Overvoltage category	III

* following version is suitable for cable outer diameters bigger than 6.3 mm: 21700622

Mechanical properties

Insertion force	≤ 30 N
Mating cycles	≥ 100

Electrical properties

Rated voltage	48 V
Current carrying capacity at 40°C	0,5 A
Contact resistance	≤ 20 mΩ
Insulation resistance	≥ 100 MΩ

Transmission properties

Suitable for 10 Gigabit Ethernet acc. to IEEE 802.3an	yes
Category 6 _A	ISO/IEC 11801

Materials

Connector housing, base material	die-cast zinc
Connector housing, surface	Ni
Contacts, surface	Au

Approvals

UL listed, E-File	E353543
-------------------	---------

Standards

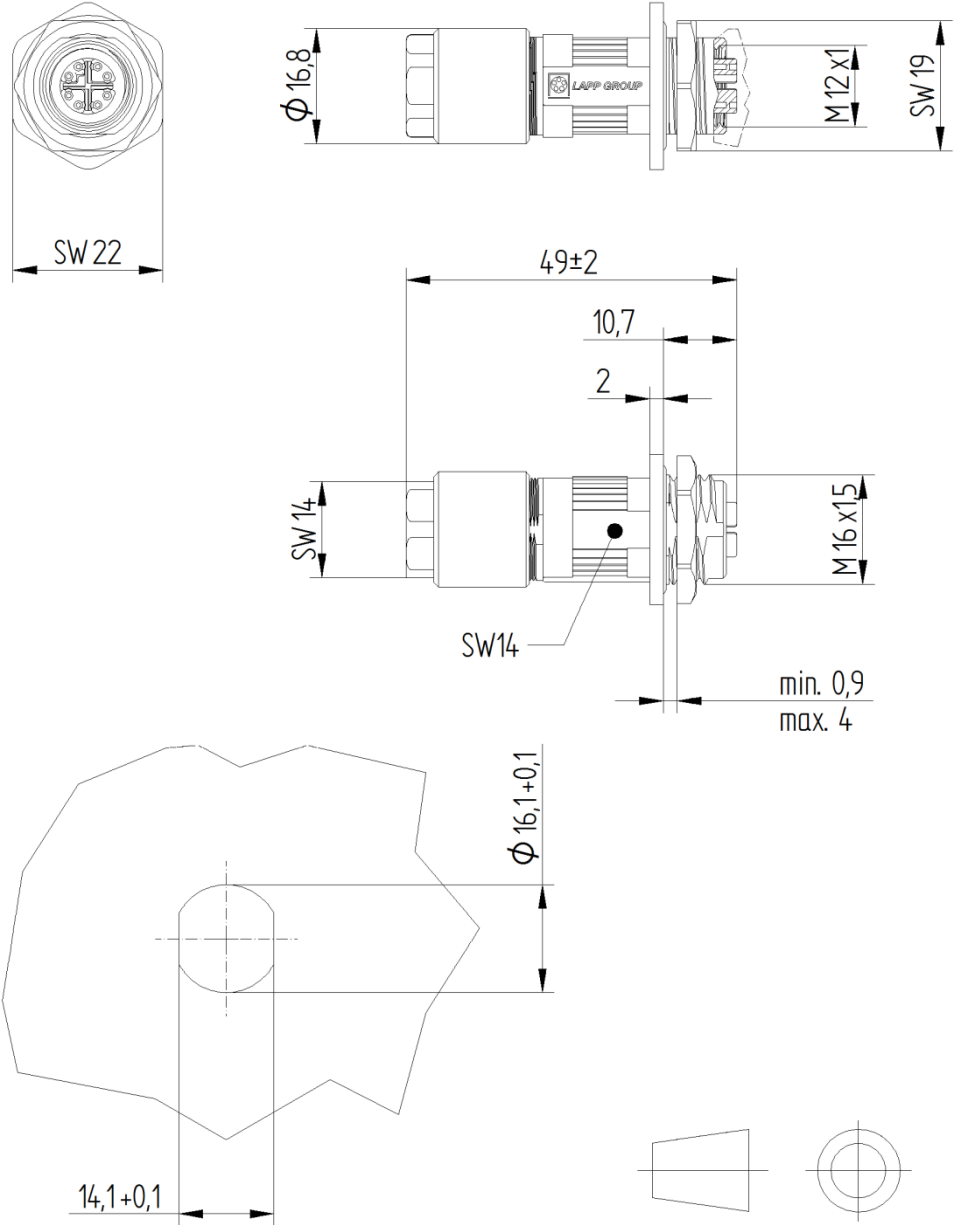
Creator: MANA2/PDP Released: IVSE1/PDP	Document: DB21700646EN Version: 02	Page 1 of 2
---	---------------------------------------	-------------

21700646	DATA SHEET	
Valid from: 09.11.2018	ED-IE-AX-M12XF-RM-6_A-67-FC-S	

Product standard

DIN EN 61076-2-109

Drawings



Note

Photographs are not true to scale and do not represent detailed images of the respective products.

Creator: MANA2/PDP Released: IVSE1/PDP	Document: DB21700646EN Version: 02	Page 2 of 2
---	---------------------------------------	-------------