


21700645	<b>DATA SHEET</b>	
Valid from: 09.11.2018	<b>ED-IE-AX-M12XF-6A-67-FC-S</b>	

## Product description

- Field mountable Industrial Ethernet Connector, M12 X-coded acc. to IEC 61076-2-109
- Suitable for industrial applications
- Robust and consistent against vibration
- No special tools needed



## General properties

Ambient temperature	-40 to +85 °C
Protection degree	IP 67
Termination type	IDC
Outer diameter, cable	5.0 – 6.3 mm *
Outer diameter, wire	0.85 – 1.6 mm
Termination cross section, stranded, 7 wires	AWG26/7 – AWG22/7
Termination cross section, solid	AWG24/1 – AWG22/1
Pollution degree	2
Overvoltage category	III

\* following version is suitable for cable outer diameters bigger than 6.3 mm: 21700621

## Mechanical properties

Insertion force	≤ 30 N
Mating cycles	≥ 100

## Electrical properties

Rated voltage	48 V
Current carrying capacity at 40°C	0,5 A
Contact resistance	≤ 20 mΩ
Insulation resistance	≥ 100 MΩ

## Transmission properties

Suitable for 10 Gigabit Ethernet acc. to IEEE 802.3an	yes
Category 6A	ISO/IEC 11801

## Materials

Connector housing, base material	die-cast zinc
Connector housing, surface	Ni
Contacts, surface	Au


## Approvals

UL listed, E-File	E353543
-------------------	---------

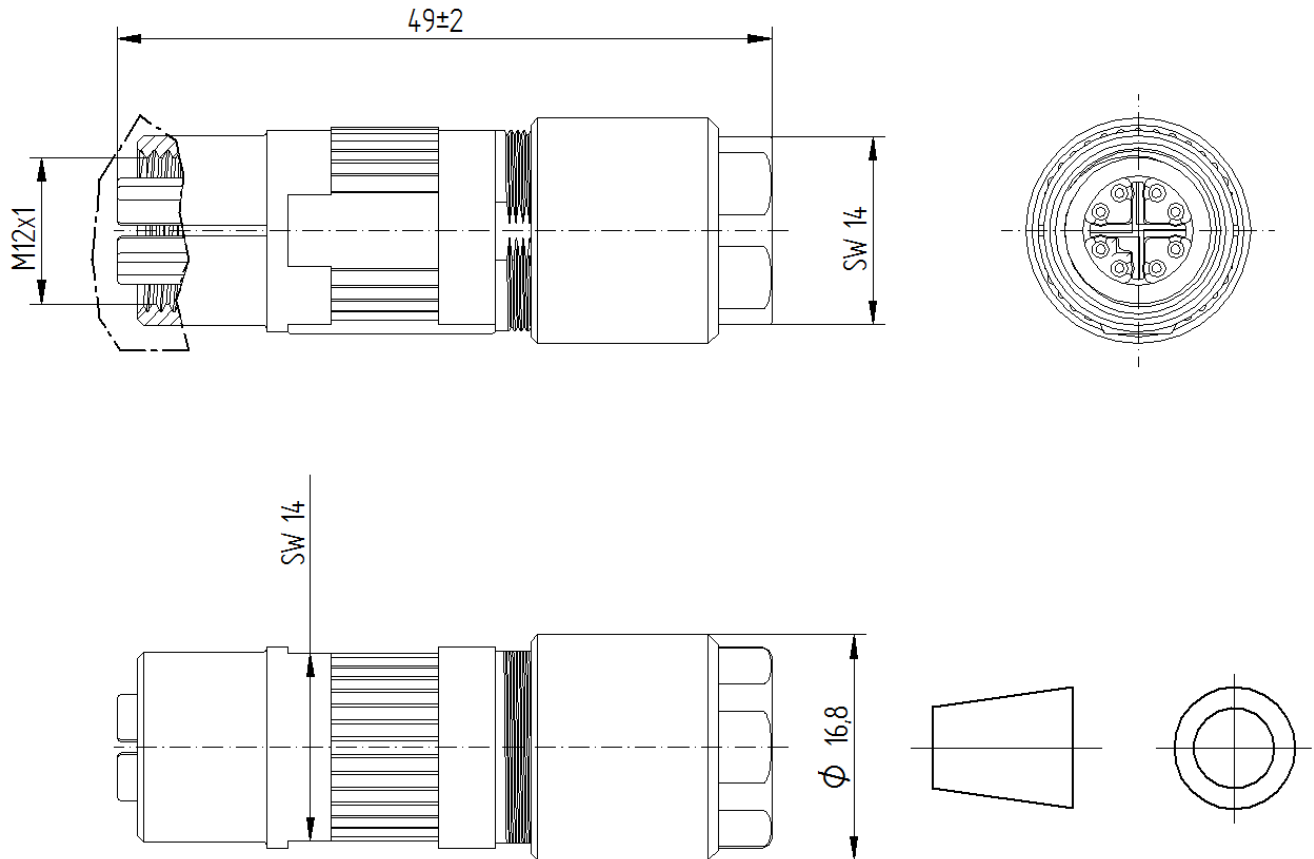
## Standards

Product standard	DIN EN 61076-2-109
------------------	--------------------

Creator: MANA2/PDP Released: IVSE1/PDP	Document: DB21700645EN Version: 02	Page 1 of 2
---	---------------------------------------	-------------

21700645	<b>DATA SHEET</b>	
Valid from: 09.11.2018	ED-IE-AX-M 12XF-6 <sub>A</sub> -67-FC-S	

### Drawings



### Note

Photographs are not true to scale and do not represent detailed images of the respective products.

Creator: MANA2/PDP Released: IVSE1/PDP	Document: DB21700645EN Version: 02	Page 2 of 2
---	---------------------------------------	-------------